



## 1.1.23 Version Software Release Notes Cisco WAN MGX 8850 Software

---

### About These Release Notes

Cisco documentation and additional literature are available in a CD-ROM package, which ships with your product. The Documentation CD-ROM, a member of the Cisco Connection Family, is updated monthly. Therefore, it might be more current than printed documentation. To order additional copies of the Documentation CD-ROM, contact your local sales representative or call customer service. The CD-ROM package is available as a single package or as an annual subscription. You can also access Cisco documentation on the World Wide Web at <http://www.cisco.com>, <http://www-china.cisco.com>, or <http://www-europe.cisco.com>.

If you are reading Cisco product documentation on the World Wide Web, you can submit comments electronically. Click **Feedback** in the toolbar, select **Documentation**, and click **Enter the feedback form**. After you complete the form, click **Submit** to send it to Cisco. We appreciate your comments.

### About the 1.1.23 Release

Release 1.1.23 of the MGX 8850 supports the same network scenarios as Release 1.1.12 and 1.1.22.

1. Feeder concentration to the BPX 8600 and all other endpoints (no BPX 8600 BNI trunk connections). IGX endpoints are supported in this release using Switch Software 9.2.

The MGX 8850 provides multiservice, high density ATM, Circuit Emulation and Frame Relay feeder concentration to the BPX 8600. The MGX 8850 connects to the BPX 8600 using the feeder trunk protocol over a PXM port. On the BPX 8600 side the feeder connection trunk to the MGX 8850 is supported on the BXM card only. Interoperability support is limited to (a) MGX 8850 to MGX 8850, (b) MGX 8850 to MGX 8220, c) MGX 8850 to BPX 8600 (FR to ATM service interworking) and (d) MGX 8850 to IGX.

2. MGX 8850 in a Stand-alone Concentrator configuration and full PXM UNI support on all ports.

Stand-alone capability allows the MGX 8850 to act as an edge concentrator to any vendor ATM network which implies service interoperability with other vendor's equipment. All connections for stand-alone are local switching connections.



# Features

This section lists the features supported in each of the maintenance releases that comprise MGX 8850 Release 1.1.23. Except where noted, all features are generally available.

## Features Introduced in Release 1.1.23

MGX 8850 Release 1.1.23 is a maintenance release of Release 1.1.22. In addition, it introduces the following new features:

- Dynamic subrate FRSM-T3E3.
- Clrsmcnf/savesmcnf/restoresmcnf feature support for VISM.
- Switchcc and softswitch performance enhancement (See Problems Fixed).
- New Database integrity check commands.
- Model # recognition for MGX8230 and MGX8250.

## Features Introduced in Release 1.1.22

MGX 8850 Release 1.1.22 is a maintenance release of Release 1.1.21. In addition, it introduces the following new features:

- core dump facility.
- FRSM2T3 subrate to Kentrox box is now supported. Previously we only supported Digital Link.
- Clrsmcnf/savesmcnf/restoresmcnf feature support.

## Features Introduced in Release 1.1.21

MGX 8850 Release 1.1.21 includes all the features in Release 1.1.12 and earlier. In addition, it introduces the following new features:

- Support for the IGX-SES.
- FRSM-HS1B 12inOne (X.21/V.35 programmable feature)  
Support for the FRSM-HS1B dual-personality back-card that can be configured for either V.35 interfaces or X.21 interfaces.
- Support of (real time) rt-VBR as a new class of ATM connection service type for the following service modules:
  - FRSM-2CT3
  - FRSM-2T3/E3
  - FRSM-HS2
- Support for the “fixed ratio queuing” algorithm for egress queue management on the following service modules:
  - FRSM-2CT3
  - FRSM-2T3/E3
  - FRSM-HS2

- Support for hot-standby on the following service modules:

- FRSM-2CT3
- FRSM-2T3/E3
- FRSM-HS2

This feature reduces switchover time for the above service modules.

- Support for Zero CIR on the following service modules:

- FRSM-2CT3
- FRSM-2T3/E3
- FRSM-HS2
- FRSM-8T1/E1

- FRSM-2T3/E3 subrate support

This feature supports running the T3 or E3 lines on the FRSM at sub rates. The interfaced DSU/CSU supported are the Digital Link DL3100 for T3 and the Digital Link DL3100E for E3.

## Features Introduced in Release 1.1.12

MGX 8850 Release 1.1.12 was a maintenance release of Release 1.1.11. In addition, it introduced the following new features:

- Introduction of MGX-CESM-T3E3 - Circuit Emulation Module Card, including the following features:
  - Provides 1 standard T3 or E3 interfaces
  - 1:1 redundancy using Y-cable



**Note**

---

The MGX-CESM-T3E3 is an FCS product.

---

- PLCP payload scrambling
- Support for IP Address discovery of the MC3810 using ILMI

## Features Introduced in Release 1.1.11

MGX 8850 Release 1.1.11 was a maintenance release of Release 1.1.10. In addition, it introduced the following new features:

- Introduction of MGX-VISM-8T1E1 - Voice Service Module Card, including the following features:
  - Provides 8 standard T1 or E1 interfaces with B8ZS, AMI & HDB3 line coding.
  - Support for voice over IP (VoIP) to RFC 1889.
  - Support for both PCM a-law and u-law.
  - Programmable 16, 32,64,128 ms near end echo cancellation.
  - Voice activity detection (VAD) and comfort noise generation using variable threshold energy (Cisco proprietary).

- Support for signalling using Simple Gateway Control Protocol (SGCP) version 1.0.
- ATM AAL5 connections for Management and voice IP packets.
- Support for loop timing, payload and line loopbacks.
- 1:N redundancy using SRM-3T3 capabilities (bulk mode support for T1 lines only).

**Note**


---

The MGX-VISM-8T1E1 is an FCS product.

---

- RPM/B card and double clock OC6 support with IOS 12.0.5T1.  
The RPM has a custom ASIC on it called the ATMizer. This chip is being replaced by the ATMizer II+, AKA “G10” version of the chip. The RPM-B contains this new chip, along with a 16Mbyte Flash SIMM instead of 4Mbyte. The RPM-B can operate at 21Mhz and 42Mhz Cellbus clock rate with 1.1.11 and 12.0.5T1, while the RPM-A can only operate at 21 Mhz.
- Support for CellBus speed configuration. The CellBus can be configured for double clock speed for all VHS service modules.
- MPLS (tag edge router only) support for RPM.

**Note**


---

MPLS support for RPM is currently an FCS feature.

---

- Support of MGX-FRSM-HS/1-B (V.35 support)
- Major Redundancy Enhancements (SRM failures cause switchover, removal of FRSM-2CT3 backcard causes switchover)
- APS fixes (removing back card from active PXM causes APS line to not fail, APS memory leak, APS switch on SDBER threshold exceed)
- Saveallcnf includes RPM configuration
- PXM core dump subsystem feature
- MGX 8220 Release 4.1.00 circuit emulation endpoints

## Features Introduced in Release 1.1.10

MGX 8850 Release 1.1.10 provided the following features in addition to the ones provided in Release 1.1.01 and earlier:

- APS redundancy on PXM-OC3 and OC12 interfaces. Only 1+1 redundancy configuration is supported. No 1:1 APS redundancy.
- Full PXM UNI support in Stand-alone configuration using all ports with policing. The UNI channels on PXM will support CBR, rt-VBR, nrt-VBR, UBR and ABR classes of service.
- BERT support on FRSM-8T1/E1, CESM-8T1/E1 and AUSM-8T1/E1 and FRSM-2CT3 cards. The BERT support is at whole T1/E1 or port level (n\*DS0).

## Release 1.1.23 MGX 8850 Hardware

MGX 8850 is a 45 Gbps backplane with 1.2 Gbps switching fabric for Release 1.1.22. The same backplane is used with different switching fabric cards (1.2, 45 Gbps) to achieve scalability. MGX 8850 Release 1.1.22 hardware components and their revisions that are supported are as follows:

Front card model #	Rev #	Back card model #	Rev #
MGX 8850 Chassis	A		
MGX-DC power supply	A		
MGX-AC1 power supply	A		
MGX-AC2-2 power supply	A		
PS-1200-AC power supply	A		
MGX-SRM-3T3/B	A	MGX-BNC-3T3	A
PXM1	A	PXM-UI	A
PXM-1-2-T3E3	A	PXM-UI	A
		MGX-BNC-2E3	A
		MGX-BNC-2E3A	A
		MGX-BNC-2T3	A
PXM-1-4-155	A	PXM-UI	A
		MGX-MMF-4-155	A
		MGX-SMFIR-4-155	A
		MGX-SMFLR-4-155	A
PXM-1-1-622	A	PXM-UI	A
		MGX-SMFIR-1-622	A
		MGX-SMFLR-1-622	A
MGX-RPM-64M/B	B	MGX-RJ45-FE	A
		MGX-MMF-FE	A
		MGX-RJ45-4E	A
		MGX-MMF-FDDI	A
		MGX-SMF-FDDI	A
		MGX-MMF-FDDI/FD	A
		MGX-SMF-FDDI/FD	A

Front card model #	Rev #	Back card model #	Rev #
MGX-RPM-128M/B	B	MGX-RJ45-FE	A
		MGX-MMF-FE	A
		MGX-RJ45-4E	A
		MGX-MMF-FDDI	A
		MGX-SMF-FDDI	A
		MGX-MMF-FDDI/FD	A
		MGX-SMF-FDDI/FD	A
AX-CESM-8E1	A	AX-SMB-8E1	
		AX-RJ48-8E1	
		AX-R-SMB-8E1	
		AX-R-RJ48-8E1	
AX-CESM-8T1	A	AX-RJ48-8T1	
		AX-R-RJ48-8T1	
MGX-AUSM-8E1/B	A	AX-SMB-8E1	
		AX-RJ48-8E1	
		AX-R-SMB-8E1	
		AX-R-RJ48-8E1	
MGX-AUSM-8T1/B	A	AX-RJ48-8T1	
		AX-R-RJ48-8T1	
AX-FRSM-8E1	AC	AX-SMB-8E1	
		AX-RJ48-8E1	
		AX-R-SMB-8E1	
		AX-R-RJ48-8E1	
MGX-VISM-8T1	A	AX-RJ48-8T1	
		AX-R-RJ48-8T1	
MGX-VISM-8E1	A	AX-SMB-8E1	
		AX-RJ48-8E1	
		AX-R-SMB-8E1	
		AX-R-RJ48-8E1	
AX-FRSM-8E1-C	AC	AX-SMB-8E1	
		AX-RJ48-8E1	
		AX-R-SMB-8E1	
		AX-R-RJ48-8E1	
AX-FRSM-8T1	AC	AX-RJ48-8T1	
		AX-R-RJ48-8T1	

Front card model #	Rev #	Back card model #	Rev #
AX-FRSM-8T1-C	AC	AX-RJ48-8T1 AX-R-RJ48-8T1	
MGX-FRSM-HS2/B	A	MGX-SCSCI2-2HSSI/B	A
MGX-FRSM-2CT3	A	MGX-BNC-2T3	A
MGX-FRSM-2T3E3	A	MGX-BNC-2E3 MGX-BNC-2E3A	A A
MGX-FRSM-HS1/B	A	MGX-12IN1-4S	A
MGX-CESM-T3E3	A	MGX-BNC-2T3 MGX-BNC-2E3 MGX-BNC-2E3A	A A A

Support for embedded Cisco IOS router (Router Processor Module - RPM)

- The RPM is an embedded Cisco IOS router with integrated ATM Deluxe Port Adapter and Cellbus Controller ASIC for internal connections to the backplane Cellbus. A number of port adaptors (back cards) can be configured with the RPM front card (FDDI, Ethernet, Fast Ethernet).
  - 4E Adapter
  - FE Adapter (UTP, MMF)
  - FDDI Adapter (full duplex, half duplex, SMF, MMF)

## MGX 8220 Hardware not supported on Release 1.1.23 of the MGX 8850

The following cards are not supported in Release 1.1.23:

- AX-SRM-T1E1
- AX-VISM-8E1
- AX-SMB-8E1
- AX-R-SMD-8E1
- AX-RJ48-8E1
- AX-R-RJ48-8E1

## MGX 8220 Hardware that has been superseded on the MGX 8850 by MGX 8850-specific Hardware

- AX-SRM-3T3-A and AX-BNC-3T3 card set

The MGX-SRM-3T3-B front card replaces the original AX-SRM-3T3-A front card and the MGX-BNC-3T3 back card replaces the original AX-BNC-3T3 back card. This change allows the use of slots 9, 10, 25, and 26 for 1:n redundancy and BERT in the MGX 8850 chassis. Both the AX-SRM-3T3-A/AX-BNC-3T3 card set and the MGX-SRM-3T3-B/MGX-BNC-3T3 card set are supported on the MGX 8220.

New card should have enabled use of bulk distribution in slots 9 and 10. 1:N redundancy should have been supported in those slots with the model A card.

- AX-SCSI2-2HSSI

Superseded by the MGX-SCSCI2-2HSSI/B, which works with the MGX-FRSM-HS2 front card. A V.35 interface is supported on the MGX-FRSM-HS1/B in this release.

- AX-IMATM

Superseded by MGX-AUSM-8T1/B and MGX-AUSM-8E1/B

- AX-IMATM-B

Superseded by MGX-AUSM-8T1/B and MGX-AUSM-8E1/B

## MGX 8220 Hardware that will not be supported on the MGX 8850

- AX-FRASM-8T1
- All four port MGX 8820 cards
- AX-AUSM-8T1
- AX-AUSM-8E1

## Software Platform Features

MGX 8850 provides high speed native ATM interfaces which can be configured as ATM UNI ports or trunks

Support for 1:N and 1:1 Service Module Redundancy, as indicated in the table below:

Front card model #	Redundancy supported
MGX-RPM-64M/B	No redundancy
MGX-RPM-128M/B	No redundancy
MGX-AUSM-8E1/B	1:N redundancy
MGX-AUSM-8T1/B	1:N redundancy
AX-CESM-8E1	1:N redundancy
AX-CESM-8T1	1:N redundancy
MGX-CESM-2T3E3	1:1 redundancy
AX-FRSM-8E1	1:N redundancy
AX-FRSM-8E1-C	1:N redundancy
AX-FRSM-8T1	1:N redundancy

<b>Front card model #</b>	<b>Redundancy supported</b>
AX-FRSM-8T1-C	1:N redundancy
MGX-FRSM-HS2	1:1 redundancy
MGX-FRSM-2CT3	1:1 redundancy
MGX-FRSM-2T3E3	1:1 redundancy
MGX-FRSM-HS1/B	No redundancy
MGX-T3E3	1:1 redundancy
MGX-VISM-8T1	1:N redundancy (bulk mode support for T1 lines only)
MGX-VISM-8E1	1:N redundancy (bulk mode support for T1 lines only)

Support for Bulk Distribution using SRM-3T3B card.  
Service module and PXM upgrades

## Features not Supported in this Release:

- RPM 1:1 redundancy
- RPM statistics
- Layer 2 support as an autoroute routing node
- SRM T1E1
- IPX endpoints with the MGX 8850
- E1 users circuits
- T1/CAS Backhaul
- Interworking with SGCP 1.1+ compliant call agent (Bellcore CA SM1.5)
- Interworking with Cisco 3810
- G.726 and G.729 voice compression
- G729b voice activity detection
- Voice Circuit Admission Control (CAC)
- Bearer continuity testing
- Ring back tone on Ground Start
- Separate PVCs for signaling and bearer channels

**Note**


---

Code for the above features may be included in the VISM code image. However, no specific mechanism has been included to prevent the use of these unsupported features. If the user attempts to use these unsupported features, there is no guarantee that the features will operate correctly.

---

## Major Network Management Features

- CWM Connection Management
- CiscoView support for equipment management
- CLI support
- Service MIB support
- Connection Management for connections to RPM with associated CM GUI support.
- Topology subsystem enhancements to support the MGX 8850 as a stand-alone switch.
- Statistics

For more details refer to the CWM Release 9.2.07 release notes part number 78-6659-07.

## Connection Limits

- Up to 4000 connections per VHS card.
- Up to 1000 connections per 8 port card (up to 898 per port with LMI enabled)
- Up to 200 connections per HS1 card
- Up to 12000 connections per shelf

## SNMP MIB:

The SNMP MGX 8850 MIB is being provided with the delivery of Release 1.1.23 of the MGX 8850 software on CCO. The MIB is in standard ASN.1 format and is located in the ASCII text files `MGX8800Mib.my` file which is included in the same directory within CCO. These files may be compiled with most standards-based MIB compilers. For changes in this MIB from release 1.1.22 please refer to the MIB release notes on CCO.

## Notes & Cautions

CLI modification and changes in this release

**dspfai** <slotno>

shows all failed connections per slot basis

**dspfabi** <slotno>

shows all A-bit failed connections per slot basis

**dsplmi**loop

shows if lmi loop is present

**chkslotcon <slotno>**

checks database consistency per slot basis

**chkportcon <slotno> <portno>**

checks database consistency per slot basis

**Chkcon <slot.port.vpi.vci>**

checks database consistency per connection basis

**dspbecnt**

displays bit error count

CLI modification and changes in previous releases

- A few modifications have been made to the IP configuration commands. (cnfifip and bootChange)  
See CLI Change section:
  - the cnfifip command has an additional option to up/down one of the ip interfaces (ethernet, slip, atm) dynamically. No reboot is required to up/down interface. Turned down interfaces are persistent across resets.
  - the cnfifip command is now an active only command
  - dspifip will now display the state of each interface and indicate if it is up or down.
  - bootChange now checks the ip values set and will complain if it detects incorrect values.
  - bootChange values are sent and updated on standby card automatically. Both bootlines are kept in sync.
  - bootChange command is now an active only command from CLI.
  - cnfenetgw command has been added to establish the ethernet gateway route permanently. (command is active only)
  - dspenetgw command will display ethernet gateway address set.
  - A shelf can now either have one or two ip addresses for ethernet. The shelf ip address set using cnfifip will always be the active card ip address. The bootChange ip address will be used for the standby card and backup boot if it is different than the shelf ip address. If the bootChange ip address is same as the shelf ip address then the ethernet interface on the standby card or in backup boot will be left in the down state.
  - If the “255.255.255.252” netmask is used for the SLIP interface, the PXM will automatically add host route for its peer whenever the interface is turned ON
  - If the FW fails to reach the CLI prompt or comes up in backup boot, the ethernet interface could be down if the shelf ip address and boot change address are the same. In this case the bootChange command could be used from the shell to set another ip address and then usrEnetEnable should be called to activate that address. (see example)
  - Commands and Examples
  - cnfifip:  
Syntax:  
cnfifip “Interface IPaddr [NetMask [BroadcastAddr]]”  
or cnfifip “Interface Flag”  
Interface -- 26/28/37 (26:Ethernet 28:SLIP 37:ATM)

or Ethernet/SLIP/ATM

IP\_Addr -- <n>.<n>.<n>.<n> (<n>: integer 0..255)

Net\_Mask -- <n>.<n>.<n>.<n> (<n>: integer 0..255)

BroadcastAddr -- <n>.<n>.<n>.<n>

(<n>: integer 0..255)

Flag -- a string "UP" or "DOWN"

Example:

```
> cnfifip atm 192.9.200.1 255.255.255.128
```

This configures the ATM interface and brings it UP.

```
> cnfifip atm up
```

This will bring up the ATM interface with current information in database.

```
> cnfifip atm down
```

This will bring down the ATM interface and preserve the information in the database.

#### - delifip

Syntax:

delifip Interface

Interface -- 26/28/37 (26:Ethernet 28:SLIP 37:ATM) or Ethernet/SLIP/ATM

Example:

```
> delifip 37
```

This will bring down the ATM interface and delete the information in the database

#### - dspifip:

Example:

```
> dspifip
Interface      Flag  IP Address      Subnetmask      Broadcast Addr
-----
Ethernet/lnPci0  UP    172.29.37.77    255.255.255.0   172.29.37.255
SLIP/s10        DOWN  172.29.36.253   255.255.255.252 (N/A)
ATM/atm0        UP    192.9.200.1     255.255.255.128 0.0.0.0
```

This command shows the current condition of all 3 interfaces. The data shown for the SLIP interface will apply when it is turned UP with, say, "cnfifip slip on".

#### - cnfenetgw

Syntax:

cnfenetgw IPAddr

Example:

```
> cnfenetgw 172.29.37.1
```

This command will set the default gateway and add the appropriate routes necessary to it.

#### - dspenetgw

Example:

```
> dspenetgw
Enet Gateway: 172.29.37.1
```

#### - bootChange:

Several lines are essential for the network to function:

- boot device : InPci  
(The only Ethernet interface)
- inet on ethernet (e) : 172.29.37.40:ffffff00  
(IP address and subnetmask)
- gateway inet (g) : 172.29.37.1  
(Default Ethernet gateway)

The PXM will try to correct bad entries when it boots up. This information will be copied to the standby card and if different than the shelf ip address it will up the interface on the standby with the bootChange ip address. The shellconn version of this command only updates the local bootline values and is not copied to the other card.

- usrEnetEnable:

Used to bring up the Ethernet interface when CLI prompt is not there or in backup boot if it's not enabled

The following commands which are related to FRSM-2CT3 line level loopbacks.

- Remote Loopback at DS3:-

This loopback can be configured in FRSM-2CT3 using the following commands.

```
addds3rmtloop <lineno>  
xcnfln -ds3 <lineno> -e 3 -lpb 2
```

- Local Loopback at DS3:-

This loopback can be configured in FRSM-2CT3 using the following commands.

```
addds3loop <lineno>  
xcnfln -ds3 <lineno> -e 3 -lpb 3
```

DS3 Loopback status will be displayed with following commands:

```
dspds3ln <lineno>  
dspalm -ds3 <lineno>  
dspalms -ds3
```

FEAC codes monitoring and Inband loopbacks for DS3 are not supported in FRSM-2CT3

- Remote Loopback at DS1:-

This loopback can be configured in FRSM-2CT3 using the following commands:

```
cnfbert (from PXM)  
addrmtloop <lineno>  
xcnfln -ds1 <lineno> -e 3 -lpb 2
```

- Local Loopback at DS1:-

This loopback can be configured in FRSM-2CT3 using the following commands:

**cnfbert (from PXM)**

**addlnloop <lineno>**

**xcnfln -ds1 <lineno> -e 3 -lpb 3**

DS1 Loopback status will be displayed with following commands:

**dspln <lineno>**

**dspalm -ds1 <lineno>**

**dspalms -ds1**

- Inband loopback for DS1 are supported only using bert diagnostics. The status of inband loopbacks are displayed with <dspalm> and <dspalms> commands. It is not displayed with <dspln> command. Before configuring the DS1 line in Inband loopback from bert diagnostics, user should use following command to enable code detection on FRSM-2CT3:

**xcnfln -ds1 <lineno> -e 3 -detect 2**

- Ctrl-X has been disabled from resetting PXM on the firmware.
- This release has the fix to meet the Bellcore jitter specs. The way to fix the jitter problem is having FW to disable the force\_signal\_detect\_enable register and let the optical receiver to control the signal-detect input. The OC3 transmit data jitter now measured is below 0.10UI.
- Due to the concerns about the too frequent message exchanging between the two PXM cards, the current command "dspbecnt" is limited by following:
  - "dspbecnt" only displays the bit error counts after the last APS switch, i.e. every APS switch will clear the counts for both working and protection line.
  - "dspbecnt" displays the active line bit error counts correctly. The bit error counts for non-active line is inaccurate and requires a state change(since the last state) in the protection line for display of any bit error counts.
  - A state change indicates a change of line status, such as from SD to SF.

## Node Related

At most one BERT test can be performed per shelf at any point in time. BERT can only be activated through the CLI.

Do not execute the restoreallcnf command in the middle of the installation process. If you follow the following steps:

- 
- |               |               |
|---------------|---------------|
| <b>Step 1</b> | saveallcnf    |
| <b>Step 2</b> | restoreallcnf |
| <b>Step 3</b> | install       |
| <b>Step 4</b> | newrev        |
-

The `dsplns` command will display a line as disabled, but you cannot run an `addln` command. Do not execute the `restoreallcnf` command until the `install` and `newrev` commands have completed.

The correct order for the restore procedure is:

---

<b>Step 1</b>	<code>saveallcnf</code>
<b>Step 2</b>	<code>install</code>
<b>Step 3</b>	<code>newrev</code>
<b>Step 4</b>	<code>restoreallcnf</code>

---

(for more information, refer to CSCdm57683)

`Addln` should be issued before issuing `addapsln`.

The following line and alarm related commands have been modified to allow slots 8, 16 and 32 as valid arguments if PXM at slot 8 is active:

- `addln`
- `delln`
- `cnfln`
- `dspln`
- `dsplns`
- `addlnloop`
- `dellnloop`
- `cnfsrcmclksrc`
- `dspsrcmclksrc`
- `dspalm`
- `dspalms`
- `dspalment`
- `clralment`
- `clralm`
- `dspalmenf`

Full SRM redundancy requires redundant SRMs. There must be SRMs in BOTH slot 15 and 16 to ensure service module redundancy for the upper shelf AND SRMs in BOTH slot 31 and 32 to ensure service module redundancy for the lower shelf. Lack of the second SRM in either shelf may result in mismatch conditions.

For service module redundancy support, if the active service module is physically removed from the slot then a `switchcc` would cause the now active service module to be inaccessible. The workaround is to make sure that both the active and standby cards are physically present in their slots. If the active card indeed needs to be removed then at shellconn type: `pmmStartScmPolling(slotnumber)` after the `switchcc`.

If you are moving service modules from an existing MGX 8220 platform to the MGX 8850, the MGX 8220 service modules (AX-FRSM-8T1/E1, and AX-CESM-8T1/E1) need to have the boot flash upgraded to MGX 8220 Release 5.0.00 common boot code (1.0.01 version) before they can be plugged in to the MGX 8850 chassis. All MGX-8220 service module versions that use release 4.0.xx of boot code and earlier are not supported in the MGX 8850.

If loading of the correct common boot code image is required then it will have to be performed on an MGX 8220 chassis, and cannot be performed on an MGX 8850 chassis. Please refer to the procedure below, which is also outlined in the *Cisco MGX 8850 Installation and Configuration* publication on the documentation CD.

- 
- Step 1** Use ftp to port the Axis 5 common boot image for the service module to a workstation
- Step 2** Plug in the card into the MGX 8220 shelf
- Step 3** Download the proper MGX 8220 shelf release 5.0 boot image using the following commands from the workstation:
- 

```
tftp <ip address of the MGX 8220 shelf >
bin
put <boot filename> AXIS_SM_1_<slot#>.BOOT
```

Insure that tftp downloaded the appropriate boot code by verifying the flash checksums.

---

- Step 1** Log into the shelf.
- ```
cc <slot #>'
```
- Step 2** Verify that the two checksums are the same.
- 

```
chkflash'
```

If NOT, repeat the process until they are the same. If they are the same, then you can safely remove the card. At this point the service module can be used in the MGX 8850 shelf.



**Caution**

If the checksums are not the same when you remove the service module then the service module will not boot when it is plugged in and the service module will have to be returned using the Cisco Returned Material Authorization process.

---

Whenever an MGX 8850 is added as a feeder to a BPX 8600, SWSW automatically programs a channel with a VPI.VCI of 3.8 for use as the IP Relay channel. IP Relay is used to send IP data between nodes via the network handler; allowing every node in the domain to be directly addressable via IP addressing and CWM workstations to communicate with every node (especially feeders) using TELNET, SNMP and CWM protocols. If the user tries to add a channel with a VPI.VCI of 3.8, the BPX 8600 does not prevent the user channel from being added, but the MGX 8850 rejects it. To delete the added channel on the BPX 8600, and to get IP relay working you need to reset the BXM card.

In addition to clearing all the configuration, clralcnf clears the network IP addresses. IP addresses and netmasks stay the same (dspifip). However, it's recommended by engineering to reconfigure them using the cnfifip command. Network IP is gone (dspnwip), and must be reconfigured using the cnfifip command. Refer to the entry on cnfifip in the *Cisco MGX 8850 Command Reference* publication on the documentation CD for syntax.

- The **copychan** command does not work on the MGX 8850

A minimum of two and up to four IP addresses are needed to be configured for MGX 8850 (one or more of the following: ethernet, ATM, SLIP) and the boot IP address. The user should use “bootChange” to set up IP gateway when the PXM card is just installed. The IP default gateway should be on the same subnet as the PXM board. Use the bootChange command to set correct IP address, netmask, and default gateway.

Do not install a Y cable on the UIA CP port for PXMs. If you do both serial ports will be enabled and you will not be able to communicate at all with the shelf through the console ports. If after switchcc standby PXM loses the downlevel port then it is due to a downlevel Beta version of UIA backcard that were shipped during field-trial only. Upgrading the UIA back card to the latest version should fix this problem.

To configure the external clock source, use the interface label 7.35. Do not use 0.33 or 7.33

There are also *routeShow/routeAdd/routeDelete* commands for modifying routing tables.

You must reboot your PXM after each modification with “bootChange” for it to take effect. Also make sure the subnet mask is 255.255.0.2

```
. bootChange
- Only enter the ethernet IP address, netmask and default gateway.
- Type "." to erase incorrect entries.

tigers.1.7.PXM.a > bootChange

'.' = clear field; '-' = go to previous field; ^D = quit

boot device          :lnPci
processor number     :0
host name            :C          <-- Please put "C".
file name           :
inet on ethernet (e) :172.29.37.40:ffff00 <-- Ethernet IP Addr/Netmask
inet on backplane (b):
host inet (h)       :
gateway inet (g)    :172.29.37.1 <-- Default Gateway
user (u)            :
ftp password (pw)   (blank = use rsh):
flags (f)           :0x0
target name (tn)    :
startup script (s)  :
other (o)           :

- Type in reboot, after this the command "ping" will work:

tigers.1.7.PXM.a > ping 171.71.54.53 1
171.71.54.53 is alive
```

Configuration save and restore is only supported through the CLI (CWM does not support configuration save and restore).- Service module upgrades error handling is not provided. If the user skips any of the steps during upgrade or if a power failure happens in the middle of the upgrade, results will be unpredictable. See the Special Installation and Upgrade requirements section for service module upgrades. To recover from procedural errors contact your TAC support personnel.

The MGX 8850 supports 15 simultaneous telnet sessions and 10 tftp sessions.

You must use the following Y cables for FRSM-HS2 and FRSM-CT3 redundancy as specified in the Product Orderability Matrix (Straight Cable: 72-0710-01, Crossover Cable: 72-1265-01, Straight Y-cable: FRSM-HS2: CAB-SCSI2-Y, FRSM-CT3: CAB-T3E3-Y). Other cables are not supported.

Y cable redundancy for FRSM-HS2, FRSM-2CT3, FRSM-2T3, FRSM-2E3 is only supported for adjacent slots.

Statistics are not supported for the RPM.

There is no need to issue the **syncdisk** and **shutdisk** commands before removing the PXM. The **system** quiesces the disk by detecting the removal of the PXM board and flushes the write buffers to the disk and **puts the PXM in sleep mode**. This disables any further hard disk access since it locks the actuator. **When the card is reinserted the PXM automatically comes out of sleep mode.**

Syntax of “addlink” command has changed as follows:

New Syntax:

```
Syntax: addlink <T3LineNum> <T1Slot> <NumberOfT1s> <TargetSlotNum>
        <TargetSlotLineNum>
        <T3LineNum> where = Slot.Line
                Slot = 15,31
                Line = 1 - 3
        <T1Slot> where T1Slot = 1 - 28
        <NumberOfT1s> where NumberOfT1s = 1-8
        <TargetSlotNum> where TargetSlotNum = 1-6|11-14|17-22|27-30
        <TargetSlotLineNum> where TargetSlotLineNum = 1-8
```

PAR command “cnfnwip” has been disabled in this release, please use “cnfifip” instead.

If you lose power, or remove the on-line PXM you lose the broadcast address. Use the “cnfifip” command to configure the broadcast address. To re-define your ATM address and IP Address that are in the same subnet, you have to change the ATM address to a temporary address not in the same subnet, then add back your IP Address with the original Broadcast address, then go back and correct your ATM address.

Cooling and Power limitations: Customer should be aware of the need for extra power supplies and fans beyond certain limitations. A single fan tray will support all configurations that draw between 1200 and 1400 watts. For power requirements, the MGX 8850 requires a minimum of one power supply per line cord to support the power requirement for 5 cards.

|                         | 0-5 cards | 6-10 cards | 11 and above |
|-------------------------|-----------|------------|--------------|
| Single Line Cord (N+1): | 2         | 3          | 4            |
| Dual Line Cord (2N):    | 2         | 4          | 6            |

This is based on an estimated worst case power requirement of 190W plus margin per card slot.

#### CONNECTION MANAGEMENT RELATED

The name of the node cannot be changed if there are PVCs. The node name must be changed from the default value before adding connections, since it cannot be changed later. Use the **cnfname** command to change the node name.

Only one feeder trunk can be configured. No BNI trunk to MGX 8850 as a feeder is supported.

The slave end of a connection must be added first.

The slave end cannot be deleted and re-added back by itself. If you delete the slave end, the entire connection must be completely torn down and re-added back. If the slave end of the connection is deleted and re-added back by itself, then unpredictable results will happen.

For user connections, VCI 3 and VCI 4 on every VPI are reserved for VPC OAMs.

The actual number of feeder connections you can provision on the PXM is always two less than you have configured. (the `dsprscrptns` command shows max connections as 32767, but you can only use  $32767 - 2 = 32765$ ). One connection is used for LMI and another one for IP relay.

There is no error handling detection while provisioning through the CLI. Invalid endpoints and unsupported connection types (such as connections between FRSM-CESM ports or connections between structured and unstructured connections) are permitted using the CLI. The user should not configure these connections.

The sum of CIR of all channels of a port can be greater than port speed as long as CAC is disabled. However, it is not acceptable for one channel's CIR to be greater than port speed even if CAC is disabled. Two channels added up can exceed port speed. This means you cannot oversubscribe a port if only one channel is configured.

When trying to add a port on DS0 slot 32 of a CESM-8E1 line using an SNMP set or the CiscoView Equipment Manager, The SNMP agent in CESM will time out, without adding the port. The SNMP libraries treat the 32 bit DS0 slotmap (`cesPortDs0ConfigBitMap`) as an integer. The value for the last DS0 is treated as the sign value. This causes a corruption in the packet coming to the agent. As the agent does not receive a complete SNMP packet, it does not respond and times out. Use the command line interface to add a port on DS0 slot 32 of a CESM-8E1 line.

The **cnfport** command does not allow VPI ranges to be reduced. The **cnfport** command only allows the VPI range to expand. The correct sequence is to delete all connections on the partitions, delete the partitions, delete the port and add the port with new VPI range.

On an FRSM-2CT3, one can add 128 ports on a group of 14 T1 lines as indicated below.

- lines 1 to 14 -- 128 ports (A)
- lines 15 to 28 -- 128 ports (B)
- lines 29 to 42 -- 128 ports (C)
- lines 43 to 56 -- 128 ports (D)

So, to add 256 ports on one T3 one should add 128 ports on the first 14 T1 lines and the remaining 128 on the next 14 T1 lines.

Note that (A) and (D) are connected to 1st FREEDM and (B) and (C) are connected to the 2nd FREEDM. Each FREEDM supports only 128 ports. If 128 ports are added on one T3 as in (A), then there cannot be any more ports as in (D). The 129th port should be on lines 15 to 42 (as in B or C).

If the user adds a connection between an RPM and a PXM and then deletes the connection the RPM shows no connection but the PXM still has the connection. The MGX was designed and implemented in such a way that only the connections that have the master end show up on PXM (by `dspscons` command). Consider these three connections:

- c1 - has only slave end,
- c2 - has only master end,
- c3 - has both master and slave end.

When using the `dspscons` command, c2 & c3 will be displayed, NOT c1. The connection will not show up once the master end (PXM) is deleted. Recommendation: When adding a connection, if one end of the connection is PXM, always configure the PXM side to be the slave. Thus when deleting the RPM side, which is the master, the connection will not show up on the PXM. However keep in mind that the slave end (PXM) still exists. This also provides a side benefit. When a connection exists with only the slave side, no bandwidth is occupied. The bandwidth is reserved only if the master end exists (with or without the slave).

The MGX-FRSM-HS1/B is capable of supporting a total throughput (card-level) of 16 Mbps. However, it is possible to configure 4 lines each supporting up to 8 Mbps, thus oversubscribing the card. This has been raised in bug #CSCdm71476 and a restriction/warning will be added in a future release.

AddInloop on an FRSM-HS1/B line works only when there is a (valid) cable plugged in to the backcard on that line. This is a hardware limitation on the backcard and has been mentioned in the Release-notes in bug# CSCdm44993

## RPM Related

The RPM is a NPE-150 based router card capable of sustaining 150,000 pps. With RPM versions earlier than 12.0.7T1, some limitations in Inter-Process Communication between the can cause the PXM to declare that the RPM has Failed, when the RPM is at high loads. To avoid this, with RPM software releases earlier than 12.0.7T1, throughput is limited to 62,000 pps, and it is recommended that MPLS configurations are limited to 100 interfaces.

With RPM software releases from 12.0.7T1, those limitations are removed.

In a separate limitation, the number of directly-connected OSPF networks supported by an RPM is currently limited to 27. This means that any or all of the 700 subinterfaces supported by the RPM can run OSPF, but the number of distinct OSPF networks supported is limited to 27. (A work-around is available and is discussed below.) The limit of 27 arises because of the overheads of supporting separate link-state databases for separate networks. In an application where the RPM is a Provider Edge Router in an MPLS Virtual Private Network service, a much better solution in any case is to use a distance-vector routing protocol between the customer routers and the RPM. A distance-vector routing protocol provides exactly the information required for this application: reachability information, and not link-state information. The distance-vector routing protocols supported by the RPM are BGP, RIP v1 and RIP v2, as well as static routing. With RPM software releases from 12.0.7T1, distance-vector routing protocols can be used with as many different networks as subinterfaces. Currently, the RPM supports 700 subinterfaces, and hence 700 networks with BGP, RIP or static routing.

Note that if the RPM is acting as a Provider Edge Router in an MPLS Virtual Private Network service, and even if OSPF is running in a customer network, it is not necessary to run OSPF between the customer router and the RPM. If the customer edge devices run Cisco IOS, they can redistribute OSPF routing information into RIP using the IOS commands `redistribute rip` in the OSPF configuration, and `redistribute ospf` in the RIP configuration. Similar configurations are possible for BGP. Using such configurations, the RPM with IOS software release 12.0.7T1 supports 700 customer networks which use OSPF internally. (For more information on readvertisement, see the "Configuring IP Routing Protocol-Independent Features" chapter in the "Cisco IOS Release 12.0 Network Protocols Configuration Guide, Part 1".) Redistribution is not unique to Cisco CPE, and other vendors' equipment also supports redistribution.

Recommendations for Booting:

The current implementation provides the following options:

From PXM Disk

NetBoot (TFTP server)

Booting from PXM Disk is faster than NetBoot.

-----

Recommendations for saving RPM configuration

The current implementation provides the following options:

a. Save on flash / boot-flash.

- b. Save on PXM Disk.
- c. Save on network (TFTP server)
- d. Save on RPM NVRAM (comes up faster; only for limited configuration size)

It is recommended to save the configuration on flash and on the PXM Disk, as well as on the network server. This ensures that the configuration can be restored; even in the case of multiple failures.

For example if an RPM card has problems, one can copy the configuration from either the PXM disk or from the network to new RPM card. In case of multiple hardware failures (both RPM and PXM cards have problems) one can copy the configuration from the network server.

---

Replacing the existing RPM with a new card or a card with old configuration in flash:

The existing configuration (of the old card) can be restored on the newly inserted card by following the instructions given below:

- 
- Step 1** Insert the new card into an unreserved empty slot. A previously used slot can be unreserved by giving the “`clrsmcnf`” command.
  - Step 2** Copy the old RPM’s configuration (from the PXM disk or the network server) to the new card’s bootflash (For example copying from PXM disk: “`copy c: <image name> bootflash:`”).
  - Step 3** Configure the new card to use the configuration in its bootflash using the “`boot config bootflash: <config-file-name>`” command.
  - Step 4** Save the changes using “`write mem`” command.
  - Step 5** Insert the new card into the old slot.
- 

Please note that in RPM context the “`config save/restore`” feature of the PXM only restores the PXM part of the RPM configuration/connections. The RPM part of the configuration should also be saved from RPM CLI through copy command (For example: “`copy run c: <config-filename>`” for saving to PXM Disk) for future restoration.

---

RPM Connection Resynchronization:

The RPM Connection Re-sync process is supported in the 12.04T and higher releases. This feature checks for consistency between the RPM and PXM connection databases.

---

## Limitations

### restoreallcnf

Do not execute the **restoreallcnf** command in the middle of the installation process. If you do, the `dsplns` command will display a line as disabled, but you cannot run an **addln** command. Do not execute the **restoreallcnf** command until the `install` and `newrev` commands have completed.

The correct order for the restore procedure is:

- 
- Step 1** Execute the **saveallcnf** command.

- Step 2** Execute the **install** command.
- Step 3** Execute the **newrev** command.
- Step 4** Execute the **restoreallcnf** command  
 .(for more information, refer to CSCdm57683)

---

The Service MIB does not support resource partitions.

LIP is supported on the maintenance port, but there is no PPP support on the maintenance port.

BIS messages are constantly being sent from BPX to various nodes. This affects the frequency of TFTP updates, which may affect CWM performance and/or CWM database consistency.

Unable to provision virtual trunks in SWSW 9.1.10.

## clrsmcnf

As a speedy way to wipe out all configuration on an SM, you can use clrsmcnf. This command works in the following scenarios:

- 1.1 SM not in slot
- 1.2 SM in slot and in active (good) state
- 1.3 SM in slot but in failed state or boot state or whatever state.

To be able to use an SM of a different type from the current one in a slot you can also use clrsmcnf. For example, if there is a FRSM8t1e1 in the slot with some configuration and the customer wants to use this slot for an AUSM8t1e1 card.

clrsmcnf cannot delete a port or channel due to corruption or error locally on the SM. It is able to delete the port/channel from within the PXM, but it cannot delete a port or channel due to corruption/error on the PXM itself. You can save an SM configuration and restore it back to the same slot on the same node. If the SM configuration is corrupted on disk, but the run-time image is okay and the file contented is corrupted, this is supported.

The following are NOT supported on the MGX 8850:

- Saving a configuration of an SM from one shelf and restoring it to the same slot on another shelf.
- Saving a configuration of an SM in a slot and restoring it to another slot of the same card type.
- If the SM configuration is corrupted on disk, but the run-time image is okay and the FAT is corrupted.

If you have more than 500 connections on a service module, before issuing clrsmcnf you need to change the session timeout default value.

Use CLI command timeout 0 (no timeout)

clrsmcnf

after it is done

Use CLI command timeout 600 (to set the timeout value back to the default)




---

**Note** clrsmcnf does not work with the VISM card.

---

# Core Dump Mask

There are no system performance implication unless you take a core dump, currently the default error mask to take coredump is attached, you can change the mask or take it manually.

Set the core dump mask to its default value. If you enable core dumps with power on reset and shell reset core dumps enabled you will end up with a PXM that continuously dumps the core and resets. The only way out is to use a download boot that does not have the core dump feature.

Default setting 0x262ee

```

OFF 0001 Power ON Reset
ON  0002 DRAM Parity Error
ON  0004 WatchDog Timeout Reset
ON  0008 Resource Overflow
OFF 0010 Clear All Configuration
ON  0020 Missing Task
ON  0040 Reset because of PXM Low Voltage
ON  0080 Reset By Event Log Task
OFF 0100 Reset from Shell
ON  0200 Unknown
OFF 0400 Reset from PXM
OFF 0800 Reset System
OFF 1000 Switch Core Card
ON  2000 Secondary Cache Error
ON  4000 Software Error Reset
OFF 8000 S/W reset due to upgrade
OFF 10000 Restore All Configuration
ON  20000 Device Driver Error

```

```

NODENAME.1.8.PXM.a > core hot-dump
Do you want to proceed (Yes/No)? y
Dumping PXM Core Image[0]:

```

```

.....
.....

```

Done.

```

NODENAME.1.7.PXM.s > core save 2 core.zip

```

```

Creating core.zip

```

```

.....

```

Core dump basics.

There are two steps to save a core dump.

1. The system will store a raw core dump image on the disk (this image is on a portion of the disk that is not used for the filesystem).
2. After the raw core dump image is saved on the disk, use the cli command "core" to zip the image and save it in a file on the disk.

Use the "core mask" command to display and to set the mask which determines which conditions will cause an automatic core dump.

```

NODENAME.1.7.PXM.s > core mask
Automatic Core Dumping is enabled..

```

The Current Core slot is 0

The Current Core mask is 0x4004

```

OFF 0001 Power ON Reset
OFF 0002 DRAM Parity Error
ON 0004 WatchDog Timeout Reset
OFF 0008 Resource Overflow
OFF 0010 Clear All Configuration
OFF 0020 Missing Task
OFF 0040 Reset because of PXM Low Voltage
OFF 0080 Reset By Event Log Task
OFF 0100 Reset from Shell
OFF 0200 Unknown
OFF 0400 Reset from PXM
OFF 0800 Reset System
OFF 1000 Switch Core Card
OFF 2000 Secondary Cache Error
ON 4000 Software Error Reset
OFF 8000 S/W reset due to upgrade
OFF 10000 Restore All Configuration
OFF 20000 Device Driver Error

```

NODENAME.1.7.PXM.s > core mask 0x2e2ee  
Automatic Core Dumping is enabled..

The Current Core slot is 0

The Current Core mask is 0x2e2ee

```

OFF 0001 Power ON Reset
ON 0002 DRAM Parity Error
ON 0004 WatchDog Timeout Reset
ON 0008 Resource Overflow
OFF 0010 Clear All Configuration
ON 0020 Missing Task
ON 0040 Reset because of PXM Low Voltage
ON 0080 Reset By Event Log Task
OFF 0100 Reset from Shell
ON 0200 Unknown
OFF 0400 Reset from PXM
OFF 0800 Reset System
OFF 1000 Switch Core Card
ON 2000 Secondary Cache Error
ON 4000 Software Error Reset
ON 8000 S/W reset due to upgrade
OFF 10000 Restore All Configuration
ON 20000 Device Driver Error

```

NODENAME.1.7.PXM.s >

Use the "core mask default" command to set the mask back to the default.

NODENAME.1.7.PXM.s > core mask default  
Automatic Core Dumping is enabled..

The Current Core slot is 0

The Current Core mask is 0x262ee

```

OFF 0001 Power ON Reset
ON 0002 DRAM Parity Error

```

```

ON 0004 WatchDog Timeout Reset
ON 0008 Resource Overflow
OFF 0010 Clear All Configuration
ON 0020 Missing Task
ON 0040 Reset because of PXM Low Voltage
ON 0080 Reset By Event Log Task
OFF 0100 Reset from Shell
ON 0200 Unknown
OFF 0400 Reset from PXM
OFF 0800 Reset System
OFF 1000 Switch Core Card
ON 2000 Secondary Cache Error
ON 4000 Software Error Reset
OFF 8000 S/W reset due to upgrade
OFF 10000 Restore All Configuration
ON 20000 Device Driver Error

```

NODENAME.1.7.PXM.s >

Use the "core enable" command to enable automatic core dumps.

```

NODENAME.1.7.PXM.s > core enable
Automatic Core Dumping is enabled..

```

NODENAME.1.7.PXM.s >

Use the "core disable" command to disable automatic core dumps.

```

NODENAME.1.7.PXM.s > core disable
Automatic Core Dumping is disabled..

```

NODENAME.1.7.PXM.s >

Use the "core hot-dump" to dump the raw image to the disk.

```

NODENAME.1.7.PXM.s > core hot-dump
Do you want to proceed (Yes/No)? y
Dumping PXM Core Image[0]:

```

```

.....
.....

```

Done.

NODENAME.1.7.PXM.s >

Use the "core" command to list the current list of raw core dumps save on the disk.

```

NODENAME.1.7.PXM.s > core

```

Saved Core Images:

| Slot | Reset Reason           | Dump Time                |
|------|------------------------|--------------------------|
| 0    | Unknown                | WED DEC 29 09:38:30 1999 |
| 1    | WatchDog Timeout Reset | FRI DEC 10 08:51:52 1999 |
| 2    | WatchDog Timeout Reset | TUE DEC 14 08:01:39 1999 |
| 3    | WatchDog Timeout Reset | TUE DEC 14 12:38:01 1999 |

```
4   Reset from Shell   TUE DEC 14 14:45:30 1999
5   WatchDog Timeout Reset   WED DEC 22 08:20:26 1999
```

```
Automatic Core Dumping is enabled.
The Current Core slot is 0
```

```
NODENAME.1.7.PXM.s >
```

Use the "core save" command to save the specified raw image to the specified zip file.

```
NODENAME.1.7.PXM.s > core save 0 ccc
```

```
Creating ccc
.....
NODENAME.1.7.PXM.s >
```

To upload the zip file, you must use FTP (TFTP has a limit of 16 MBytes for file size).

Enter shellconn:

```
NODENAME.1.7.PXM.s > shellConn
```

```
->
```

Set the and enable the user name:

```
-> setLogin
setLogin

  User Name
  =====
  cisco
value = 0 = 0x0
->
```

The user name is "cisco" and the password is "ciscoinc".  
Now you can FTP the image. Be sure to use binary mode.

After the image has been uploaded, disable the user name:

```
-> clrLogin
clrLogin

  User Name
  =====
value = 0 = 0x0
->
```

## Problems Fixed in Release 1.1.23

| Bug ID                    | Description                                                                                                                                                                                                                                                                                                                     |
|---------------------------|---------------------------------------------------------------------------------------------------------------------------------------------------------------------------------------------------------------------------------------------------------------------------------------------------------------------------------|
| CSCdp20616                | cell-loss on pxm-uni conn on switchover caused by srm-back card removal                                                                                                                                                                                                                                                         |
| CSCdr11405                | PVC alarms on FRSM-2CT3 cleared by softswitch                                                                                                                                                                                                                                                                                   |
| CSCdr15904                | Frames drop on FR-ATM PVCs                                                                                                                                                                                                                                                                                                      |
| CSCdr12167                | Pulling active SRM causes IMA PVC to lose traffic w/o alarm                                                                                                                                                                                                                                                                     |
| CSCdp50541                | pxm-trunk-clocking goes bad on pxm-switchover,Periodic cellloss on fdr-conns                                                                                                                                                                                                                                                    |
| CSCdp51846                | INCS1.5 - Slot failure on SRM brings down voice services CSCdp52180 MGX SRM fail/switchover outage time is unacceptable. CSCdp53887 Feeder connections could not be added via snmp on AUSM                                                                                                                                      |
| CSCdp58707                | dspbecnt command does not work correctly for the non-active line currently.                                                                                                                                                                                                                                                     |
| CSCdp65557/<br>CSCdp75117 | Softswitch on ausm causes 29 sec channel outage. When you perform a softswitch from Primary AUSM to Secondary AUSM in non-bulk mode, if system is very busy, the remote equipment may notice LOF or LOS. It is intermittent.                                                                                                    |
| CSCdp69416                | removal of backcard on active aps line causes trunk and conn failure                                                                                                                                                                                                                                                            |
| CSCdp70976                | Arbitray number of voice calls are dropped due to switchcc on PXM                                                                                                                                                                                                                                                               |
| CSCdp82888                | PXM reset/switchcc causes the ausm port to fail                                                                                                                                                                                                                                                                                 |
| CSCdp84773                | Resourcepartition does not get registered on the PXM It has been found out that the Resource Partitioning of AUSM card on the PXM is registered as zero instead of a value of three, this process takes place automatically with the AUSM card and on the VISM it is done with a command of addrscrptn. hooks for future debug. |
| CSCdp88526                | FRSM-2CT3 cards fail when sript run to add close to 4000 conns.                                                                                                                                                                                                                                                                 |
| CSCdp88046                | Slow tftp GET and corrupted CF file checksum for SM with 3920 active chans                                                                                                                                                                                                                                                      |
| CSCdp99561                | Cannot disable policing on the FRSM-2CT3 if Bc & Be set to max                                                                                                                                                                                                                                                                  |
| CSCdp92627                | Cannot add redundancy from primary ausm slot 19 to 30.                                                                                                                                                                                                                                                                          |
| CSCdp99581                | FRSM-CT3 egress queue build up causing the ingress Vc q to start discard even though traffic was being generated at PIR, with no other VCs active.                                                                                                                                                                              |
| CSCdr07429                | restoresmcnf not completely working                                                                                                                                                                                                                                                                                             |
| CSCdr08552                | Not able to delete connections from SM after switchcc.In case of UNI connections able to delete connections but dspcons still shows the connections.                                                                                                                                                                            |

| Bug ID     | Description                                                                                                                                                                                                                                                                                                                                                                                                                                                                                                                                |
|------------|--------------------------------------------------------------------------------------------------------------------------------------------------------------------------------------------------------------------------------------------------------------------------------------------------------------------------------------------------------------------------------------------------------------------------------------------------------------------------------------------------------------------------------------------|
| CSCDr09310 | VxWorks Ping hangs on receiving ICMP unreachable message from NMS                                                                                                                                                                                                                                                                                                                                                                                                                                                                          |
| CSCdm12468 | PXM CLI cannot read nvram data for UI back card and trunk back card                                                                                                                                                                                                                                                                                                                                                                                                                                                                        |
| CSCdm73868 | New IMA link failure trap 50251 is generated.                                                                                                                                                                                                                                                                                                                                                                                                                                                                                              |
| CSCdm82756 | The MGX 8850 stores user passwords in clear text. Any person with IP connectivity to the MGX 8850 can TFTP the userPassword.dat file from the MGX 8850 and view all the passwords. Passwords are encrypted before saving in the database.                                                                                                                                                                                                                                                                                                  |
| CSCdm83076 | IMA Group failure status is Ne start up, whereas Ne is operational.                                                                                                                                                                                                                                                                                                                                                                                                                                                                        |
| CSCdp12290 | when deleting port, no trap should be sent if rsc partition diskupdate fails. Return value for resource partition deletion diskupdate message, as part of port deletion, is not checked before sending out the subsequent resource partition config change trap. Also, when one of the resource partition diskupdate fails, the port deletion process should stop.                                                                                                                                                                         |
| CSCdp14073 | dspabit type command on Popeye                                                                                                                                                                                                                                                                                                                                                                                                                                                                                                             |
| CSCdp43334 | The Bert on the FRSM-VHS require the xcfnl which has misleading parameters for the FRSM-T3 and FRSM-E3 service module. Although some parameters like -ds3enb (dsx3LineBERTEnable) also appear under the xcfnl for the FRSM-E3 card but bert could not be started with this parameter and it requires a different parameter -ds3ben(dsx3LineBERTEnable).<br><br>Some other times when Bert is enabled on one line, you could not delete the bert from this line using deldsx3bert and hence forth Bert cannot be enabled on any other line. |
| CSCdp46146 | Can not delete RPM-RPM connection from the PXM                                                                                                                                                                                                                                                                                                                                                                                                                                                                                             |
| CSCdp47079 | Policing defaulted to off on certain PXM connection (VBR and ABR)                                                                                                                                                                                                                                                                                                                                                                                                                                                                          |
| CSCdp54765 | Cannot add a port to a slot until card reset on FRSM-8T1E1                                                                                                                                                                                                                                                                                                                                                                                                                                                                                 |
| CSCdp57974 | Need varbind for Configured Links in certain IMA traps.                                                                                                                                                                                                                                                                                                                                                                                                                                                                                    |
| CSCdp62456 | database integrity commands do not catch incomplete master cons                                                                                                                                                                                                                                                                                                                                                                                                                                                                            |
| CSCdp62652 | No updated information about IMA Rx grp ID on AUSM                                                                                                                                                                                                                                                                                                                                                                                                                                                                                         |
| CSCdp63757 | FunctionModuleFailed Trap 50006 keeps repeating twice                                                                                                                                                                                                                                                                                                                                                                                                                                                                                      |
| CSCdp65370 | The port on the CESM-T3/E3 is in active state but the line is in RevLOS alarm. When a T3 or E3 line indicates an alarm condition, the corresponding port state is not updated correctly. Port State is still displayed as active instead of "failed due to line                                                                                                                                                                                                                                                                            |

| Bug ID     | Description                                                                                                                                                                                                                                                                                                                                                                                                                                                                                                            |
|------------|------------------------------------------------------------------------------------------------------------------------------------------------------------------------------------------------------------------------------------------------------------------------------------------------------------------------------------------------------------------------------------------------------------------------------------------------------------------------------------------------------------------------|
| CSCdp65651 | Need to support a new VSI force Del passthru to handle connection timeout. During the connection addition, if the timeout occurs in VSI slave, SPM will clean up all the resources allocated for the connection. It then sends HD Update Fail message to the SM. Both SM & SPM do not have the connection anymore but PAR still has the connection in its database. If the user try to readd the connection, PAR will reject the request. The user can not delete the connection either since there is none in the SM. |
| CSCdp69367 | Need to disable CLI session timeout when issuing clrsmcnf. The fix involves disabling the session timeout before 'clrsmcnf' or 'restoresmcnf' commands are carried out and re-enabling the session timeout period when complete.                                                                                                                                                                                                                                                                                       |
| CSCdp80104 | dspapsln shows both lines in R_AM after alarm on one line was cleared                                                                                                                                                                                                                                                                                                                                                                                                                                                  |
| CSCdp77244 | support port rate modification without deleting connections                                                                                                                                                                                                                                                                                                                                                                                                                                                            |
| CSCdp76372 | FRSM-2CT3 dspchancnt does not have KbpsAIR field                                                                                                                                                                                                                                                                                                                                                                                                                                                                       |
| CSCdp75879 | Signalling bits toggle in case of voltage disturbance on T1 input lea                                                                                                                                                                                                                                                                                                                                                                                                                                                  |
| CSCdp75844 | LMI timeout values specified via the cnflmitimer value not correct . Prior to this fix LMI timers had to be configured(using cnflmitimer command) to double the desired value of LMI timeout.                                                                                                                                                                                                                                                                                                                          |
| CSCdp75827 | values specified via cnflmitimer not preserved after switchcc/resetsy                                                                                                                                                                                                                                                                                                                                                                                                                                                  |
| CSCdp80130 | dspapsln shows both aps lines to be OK when alarm exists                                                                                                                                                                                                                                                                                                                                                                                                                                                               |
| CSCdr15904 | Frames are getting dropped on FR-ATM PVC, reason is not shown                                                                                                                                                                                                                                                                                                                                                                                                                                                          |
| CSCdr07460 | addlnloop on the PXM causes a bidirectional loop                                                                                                                                                                                                                                                                                                                                                                                                                                                                       |
| CSCdp99795 | k:dpservrate does not show correct values                                                                                                                                                                                                                                                                                                                                                                                                                                                                              |
| CSCdp96495 | FRSM-2E3 doesnt support G.751 clearchannel format                                                                                                                                                                                                                                                                                                                                                                                                                                                                      |
| CSCdp91587 | dsx3LineXmtClockSrc cannot be set to localClk on PXM T3                                                                                                                                                                                                                                                                                                                                                                                                                                                                |
| CSCdp87088 | CESM-8t1e1Clock change to async mode on line causes bit errors on another line                                                                                                                                                                                                                                                                                                                                                                                                                                         |
| CSCdp84676 | When the service module tries to do graceful upgrade PXM crashes                                                                                                                                                                                                                                                                                                                                                                                                                                                       |
| CSCdp81859 | Introduce dspfail command to display failed connections                                                                                                                                                                                                                                                                                                                                                                                                                                                                |
| CSCdp81205 | When Protection Line was unplugged, it went into P_B state                                                                                                                                                                                                                                                                                                                                                                                                                                                             |

| Bug ID     | Description                                                                                                                                                                      |
|------------|----------------------------------------------------------------------------------------------------------------------------------------------------------------------------------|
| CSCdp80154 | dspapsln shows one line in R_AM when both are                                                                                                                                    |
| CSCdr25595 | /vob/psm/switchmgm/rmeptsm.c<br>In func rmRebindLcnEpt(), modified the code not to init the pEptBlk->state, pEptBlk->lmiStatus, pEptBlk->lmiChangeFlag if EptBlk already exists. |

## Problems Fixed in Release 1.1.22

| Bug ID     | Description                                                                                                                                                                                                                                                                                                                                                                                                                                                                                                                                                                               |
|------------|-------------------------------------------------------------------------------------------------------------------------------------------------------------------------------------------------------------------------------------------------------------------------------------------------------------------------------------------------------------------------------------------------------------------------------------------------------------------------------------------------------------------------------------------------------------------------------------------|
| CSCdm67177 | Requirement to perform save/restore configuration on an individual SM basis, rather than restoring configuration of the entire shelf in the event of database corruption of a single SM.                                                                                                                                                                                                                                                                                                                                                                                                  |
| CSCdm79604 | CBR connection from cesm-8t1 in slot 30 to ausm-8t1 in slot 19 is first established .Only 21 time-slots on each T1 lines of CESM are utilised for the cbr connections.Then all the 8 lines on AUSM are linked to srm which in turn has a metallic loopback. A brief hit on the srm lines is caused by a pulling out the active card and the secondary core-cards takeover but from then on there is continous LOP for CESM-AUSM cbr connections as noticed in the cerjac and also the ausm-line 1 remains in RcvLOF alarm state.                                                          |
| CSCdm81358 | The alarm propagation from Port to Connection manager has been delayed for 1.5 seconds, and in turn it has reduced the channel alarm period at the other end.                                                                                                                                                                                                                                                                                                                                                                                                                             |
| CSCdp17292 | Softswitch on AUSM causes remote end in and out of alarm                                                                                                                                                                                                                                                                                                                                                                                                                                                                                                                                  |
| CSCdp23375 | When doing resync from CWM station, the resync becomes partial because config upload fails for slot 12 (VHS-2T3 card).                                                                                                                                                                                                                                                                                                                                                                                                                                                                    |
| CSCdp23536 | Scenario: After switchover, some connections got deleted.<br>Symptom: These connections' data structure have linkage problem. The linkage between the lcn block and endpoint block are not linked properly. The traffice may not go through.<br>Work around: These data structure must be manually removed to delete all the connections. "resetsys" might be necessary afterward. The sequence of the manual removal can not be predetermined. It depends on each individual problem. This steps are done via shellconn. Once the deletion is sucessful, the connections can be readded. |

| Bug ID     | Description                                                                                                                                                                                                                                                                                                                                                                                                                                                                                                                                                                                                                                                                                                                                                           |
|------------|-----------------------------------------------------------------------------------------------------------------------------------------------------------------------------------------------------------------------------------------------------------------------------------------------------------------------------------------------------------------------------------------------------------------------------------------------------------------------------------------------------------------------------------------------------------------------------------------------------------------------------------------------------------------------------------------------------------------------------------------------------------------------|
| CSCdp28768 | Unable to add cesm-pxm-uni connections on some ports between cesm-8t1 in slot2 and pxm -port 4 . cesm-8t1 in slot 2 had 1:n redundancy with redundant card being in slot11 .The secondary card in slot11 was active . While connections went through for some ports for some other ports ex: port2 in cesm it gives error message failed to update disk and with debug option turned on one sees the message no more lcn's available. The cesm-card initially had 4 -pxm-uni connections to pxm in slot-4/on line4 which in turn had a metallic loopback and the other 4 ports on cesm were connected to ausm-ima ports.All the connections in cesm were deleted and pxm-uni connections were re-added which give error in addition of uni connections on some ports. |
| CSCdp29829 | Vhs in slot-17 & slot-27 were configured for Hot-Standby redundancy. Vhs in slot-17 initially had a different slot-specific -fw with different Mib-version & VHS in slot27 had generic VHS firmware dated 10.0.06_29Oct99_2. Card-17 was active & card-27 CT3 card was standby but not Hotstandby due to Mib-version discrepancy. At this step removed slot-specific vhs-firmware and reset card -17 . which made VHS in slot-17 to come up in Hot-stanby (took one more reset to come back in Hot-Standby ) and Card 27 was active. At this step a VHS switchover was initiated which sent the Card-17 to Mismatch and Card-27 came -back active.There was also a feature set discrepancy observed.                                                                  |
| CSCdp34030 | Ram Sync State:Dbm Sync Fail Dbid:0x1030e (plfm:rm_archdb) PXM standby. This problem occurs when you downgrade PXM code from 1.1.12Ko to 1.1.12 if the rx cable is pulled during the downgrade                                                                                                                                                                                                                                                                                                                                                                                                                                                                                                                                                                        |
| CSCdp34441 | Channels on AUSM automatically deleted                                                                                                                                                                                                                                                                                                                                                                                                                                                                                                                                                                                                                                                                                                                                |
| CSCdp35989 | Symptom: flood of invalid LMI frames overruns the LMI queue causing random LMI failures on other ports.<br>Conditions: flooding LMI frames on one port.<br>Workaround: stop the flood of invalid LMI messages.                                                                                                                                                                                                                                                                                                                                                                                                                                                                                                                                                        |
| CSCdp36936 | Inconsistency between connections reported by PXM and RPM                                                                                                                                                                                                                                                                                                                                                                                                                                                                                                                                                                                                                                                                                                             |
| CSCdp38919 | Active AUSM with conns went to mismatch after the resetcd & never came a                                                                                                                                                                                                                                                                                                                                                                                                                                                                                                                                                                                                                                                                                              |
| CSCdp39955 | Deleted chans on FRSM reappearing after the card is reset                                                                                                                                                                                                                                                                                                                                                                                                                                                                                                                                                                                                                                                                                                             |
| CSCdp41926 | PVCs in alarm for about 14 sec after YEL + switchcc.                                                                                                                                                                                                                                                                                                                                                                                                                                                                                                                                                                                                                                                                                                                  |
| CSCdp41980 | Symptom :<br>There is 1-N redundancy between ausm-8t1 in slot 5,6, & 13 with the ausm in slot5 & slot6 being the primary cards and slot-13 being the secondary card. when the cards in slot 5 & 13 are inserted and if 13 becomes the active card then ,there is continuous cell-loss on the feeder connections associated with slot-6 .The ausm-8t1 in slot-6 comes up in standby state and cc to logical active <slot-6> fails.<br>Workaround :<br>Do not try to make the secondary card to become active first.                                                                                                                                                                                                                                                    |

| Bug ID     | Description                                                                                                                                                                                                                                                                                                                                                                                                                                                                                                                                                                 |
|------------|-----------------------------------------------------------------------------------------------------------------------------------------------------------------------------------------------------------------------------------------------------------------------------------------------------------------------------------------------------------------------------------------------------------------------------------------------------------------------------------------------------------------------------------------------------------------------------|
| CSCdp42721 | AUSM shelves generating excessive 50131s                                                                                                                                                                                                                                                                                                                                                                                                                                                                                                                                    |
| CSCdp44521 | cnfapsln causes system to reboot and lockup                                                                                                                                                                                                                                                                                                                                                                                                                                                                                                                                 |
| CSCdp46093 | Ausm-8T1 in slot 18 went into failed state . Earlier there was one vhs-switchover between slot 19 & slot 30 and after the vhs in slot-19 was active and vhs in slot-30 was in hot-standby a pxm-switchover was initiated. There were a lot of SCM-sequence mismatches observed in the log as well as in the SCM-Card show command output . SRM in slots 15,31 & 32 were having a lot of Invalid GLCn counts & unknown SCM-Type counts. ausm in slot-18 had cbr connections to cesm in slot-2 and the ausm was linked to srm.                                                |
| CSCdp46161 | <p>Symptom:</p> <p>Ssome of the end-to-end OAM loopback cells sent by CPE were blocked by AUSM-8P.</p> <p>Further Problem Description:</p> <p>OAM loopback cells have a field called Correlation Tag(4 octets) that is used to correlate the transmitted and received loopback cells. 16th bit of this field is used to identify StrataCom RTD cells (stratacom proprietary). RTD cells are not expected from Port side, but the firmware used to check for RTD cells from Port side. Every 16th bit set loopback cell was identified as an RTD cell and hence blocked.</p> |
| CSCdp47025 | FRSM-VHS cards failed upon connection deletion                                                                                                                                                                                                                                                                                                                                                                                                                                                                                                                              |
| CSCdp47059 | FRSM-8T1 stuck in standby (tRootTask fails). Duplicate of CSCdp39955                                                                                                                                                                                                                                                                                                                                                                                                                                                                                                        |
| CSCdp49478 | Telnet connectivity lost during connection deletion                                                                                                                                                                                                                                                                                                                                                                                                                                                                                                                         |
| CSCdp51642 | <p>None of the ima commands work on AUSM card on POPEYE shelf under shellConn. So on serial port also it will not work. So none of the scripts can be executed. This is a ULIB Problem. Please refer to CSCdm54403 and CSCdm50366. These are the bugs logged on AXIS for similar problem. It has been fixed in uicnf.c. Similar fix has to be ported (if applicable) to POPEYE. This would impact all service modules and has to be done carefully.</p> <p>Currently, none of the IMA commands with string arguments would work in shellConn/serial Port.</p>               |
| CSCdp52062 | A resetsys was done on the ipfrnj40 node. after resetsys all pvc on RPM slot 10 did not come back. on PXM all the chans were still there and in alarm state. Somehow the RPM resource partition statement was removed from slot 10 running config. the startup config in nvram still haD the statement. The log on RPM in slot 10 logged some RPC failed message and had not logged any other entry since then.                                                                                                                                                             |
| CSCdp53220 | BCC switchcc on BPX caused connections on 8850 to generate alarm.                                                                                                                                                                                                                                                                                                                                                                                                                                                                                                           |
| CSCdp54922 | AUSMs stuck in standby after 1.1.21Lc upgrade.                                                                                                                                                                                                                                                                                                                                                                                                                                                                                                                              |

| Bug ID     | Description                                                                                                                                                                                                                                                                                                                                                                                                                                                                                                                                                                                      |
|------------|--------------------------------------------------------------------------------------------------------------------------------------------------------------------------------------------------------------------------------------------------------------------------------------------------------------------------------------------------------------------------------------------------------------------------------------------------------------------------------------------------------------------------------------------------------------------------------------------------|
| CSCdp56297 | aps line switches back even though non-revertive.                                                                                                                                                                                                                                                                                                                                                                                                                                                                                                                                                |
| CSCdp56447 | Last user request always shows clear after a manual aps switch.                                                                                                                                                                                                                                                                                                                                                                                                                                                                                                                                  |
| CSCdp56827 | aps switch causes ALM or Sig_F conditions.                                                                                                                                                                                                                                                                                                                                                                                                                                                                                                                                                       |
| CSCdp58709 | After upgrading to 1.1.21Le on IPFRMT40, RPMs in slots 1-4 and 9-10 remain in FAILED state and cannot reboot. RPM in shows status "not responding".                                                                                                                                                                                                                                                                                                                                                                                                                                              |
| CSCdp60513 | delapsln/switchcc on 8850 results in LOS/yellow alarm conditions.                                                                                                                                                                                                                                                                                                                                                                                                                                                                                                                                |
| CSCdp60546 | Removal of aps backcard on active aps line, did cause an aps switch, however re-installation of aps backcard did not clear the backcard missing indication on the dspapsln display.                                                                                                                                                                                                                                                                                                                                                                                                              |
| CSCdp60551 | resetsys caused 3000 connections to be deleted from an FRSM-2CT3 and connections on another FRSM_2CT3 to report as failed, whereas the PXM showed those same connections to be ok.                                                                                                                                                                                                                                                                                                                                                                                                               |
| CSCdp60568 | 1121Le-dspapsln does not show an LOS condition                                                                                                                                                                                                                                                                                                                                                                                                                                                                                                                                                   |
| CSCdp62517 | Support the commands for configuration and display of LMI timers: cnflmitimer and dsplmitimer.                                                                                                                                                                                                                                                                                                                                                                                                                                                                                                   |
| CSCdp63038 | cnfapsln with threshold=9 caused node lockup, interface/port loss & connections to be auto-deleted.                                                                                                                                                                                                                                                                                                                                                                                                                                                                                              |
| CSCdp63851 | Manual switch allowed to W_Line in ALM condition.                                                                                                                                                                                                                                                                                                                                                                                                                                                                                                                                                |
| CSCdm17963 | <p>Description</p> <p>The number of messages that the card can process is only 50. When there are 50 messages to log and if there is a task failure, it could cause a card reset.</p> <p>Symptoms</p> <ol style="list-style-type: none"> <li>1. Watchdog timeout reset</li> <li>2. Power reset</li> </ol> <p>If identify is caused by this bug, look at the log just before the card reset if there are many logs from the card that got reset, then it is mostly likely because of the log message queue becoming full.</p> <p>Workaround</p> <p>There are no workarounds for this problem.</p> |
| CSCdm33570 | The FRSM-2CT3 does not pause its dsptotals display prior to the Port Channel Table. This was specifically altered on the FRSM-8T1 to prevent the data scrolling off the screen.                                                                                                                                                                                                                                                                                                                                                                                                                  |

| Bug ID     | Description                                                                                                                                                                                                                                                                                                                                                                                                                                                                                                                                                                                                                                                   |
|------------|---------------------------------------------------------------------------------------------------------------------------------------------------------------------------------------------------------------------------------------------------------------------------------------------------------------------------------------------------------------------------------------------------------------------------------------------------------------------------------------------------------------------------------------------------------------------------------------------------------------------------------------------------------------|
| CSCdm33677 | <p>Symptom:</p> <p>Unable to add ABR1 connection from PXMUNI to PXMUNI (3-segment) whenever the fdtrunk has some of its bandwidth used-up due to other connections.</p> <p>Scenario:</p> <p>Using SV+ to add ABR1 connection. The SCR field is default to the maximum port bandwidth and not editable (greyout). If there is at least one other connection already added, the available bandwidth will be less than that of the port speed. The new connection addition will fail.</p> <p>Work Around:</p> <p>Use CLI to add connection (addcon) then modify the SCR to the desired value (within what is available) via cnfupcabr (another CLI command).</p> |
| CSCdm33972 | Error Log for Slot 7 shows A process that is not the owner is attempting                                                                                                                                                                                                                                                                                                                                                                                                                                                                                                                                                                                      |
| CSCdm47299 | You cannot clear service module configuration, only if there are ports and connections in the configuration file. However, if there are none, we don't have to have the card in the slot.                                                                                                                                                                                                                                                                                                                                                                                                                                                                     |
| CSCdm60296 | When the wrong M value is used between AUSM and Kentrox, AUSM responds by generating an IMA port failure trap 50250.                                                                                                                                                                                                                                                                                                                                                                                                                                                                                                                                          |
| CSCdm60448 | <p>Sympton:</p> <p>x-bit setting after detecting line failure is not compliant with Bell core standards, i.e. one second.</p> <p>Condition:</p> <p>line failure (either LOS or LOF)</p> <p>Workaround:</p> <p>Currently there is no work-around to this problem.</p>                                                                                                                                                                                                                                                                                                                                                                                          |
| CSCdm60455 | <p>Symptom:</p> <p>Unable to modify SRM line alarm configuration parameters</p> <p>Workaround:</p> <p>No workaround.</p>                                                                                                                                                                                                                                                                                                                                                                                                                                                                                                                                      |

| Bug ID     | Description                                                                                                                                                                                                                                                                                                                                                                                                                                                                                                                                                                                   |
|------------|-----------------------------------------------------------------------------------------------------------------------------------------------------------------------------------------------------------------------------------------------------------------------------------------------------------------------------------------------------------------------------------------------------------------------------------------------------------------------------------------------------------------------------------------------------------------------------------------------|
| CSCdm61185 | <p>Synopsis:</p> <p>One user changing directory causes all other users on that shelf to be in that new directory.</p> <p>Description:</p> <p>When one user changes his/her directory (from CLI), it causes all other users to be in the new directory. MGXSM 8850 CLI "cd" command is based on underlying vxWorks "cd" command. Unless the code for underlying "cd" command is changed (by WindRiver), the functionality of "cd" command on MGXSM-8850 cannot be altered.</p> <p>Workaround:</p> <p>None.</p>                                                                                 |
| CSCdm73863 | <p>Customer would like the command line enhanced to force the IMA group into startup.</p>                                                                                                                                                                                                                                                                                                                                                                                                                                                                                                     |
| CSCdm73868 | <p>There are certain IMA only related failures that need to be mentioned when an IMA link fails and a 50251 trap is generated. For example, if differential delay is the cause of the link removal, it must be mentioned as the cause. There is currently no mechanism in axis that mentions this. There also needs to be a log message written to the axis log with the same reason code info. I envision a varbind called axisImaLinkFailureReason. It should include all applicable link failure reasons (e.g. diff delay exceeded, Phys Layer Problem, NE blocked, FE blocked...etc).</p> |
| CSCdm73870 | <p>When the wrong M value is used between AUSM and Kentrox, AUSM responds by generating an IMA port failure trap 50250. The trap has a field called axisImaGroupFailureStatus. One of the options for this is "Invalid M value Far End". When I simulate this condition, however, the 50250 trap populates this field with (8) "Insufficient Links NE."</p>                                                                                                                                                                                                                                   |
| CSCdm73874 | <p>When a T1 line is restored on an AUSM card, we get a trap 50100. The definition of this trap in the mib implies that it is obsolete in AXIS4 and that it is part of the bnm card....not the AUSM card. The firmware has to match the mib or the mib definition has to change to match the firmware.</p>                                                                                                                                                                                                                                                                                    |
| CSCdm73876 | <p>When removing a T1 from the far-end (i.e. CPE), a trap is generated labelled 50901 - bnmLineAlarm. This is inconsistent with the MIB definition. This trap should NOT be generated, for 2 reasons. One it is in the bnm category (and this is an AUSM card) and two it was supposedly obsoleted from AXIS4. Either that or the mib definition must be changed.</p>                                                                                                                                                                                                                         |
| CSCdm83469 | <p>T1 lines on an enabled T3 line on the FRSM-2CT3 card show up as disabled.</p>                                                                                                                                                                                                                                                                                                                                                                                                                                                                                                              |
| CSCdp07803 | <p>inbert not properly indicated when BERT test running on the port of a CESM-8T1.</p>                                                                                                                                                                                                                                                                                                                                                                                                                                                                                                        |

| Bug ID     | Description                                                                                                                                                                                                                                                                                                                                                                                                                                                                                                                                                                                      |
|------------|--------------------------------------------------------------------------------------------------------------------------------------------------------------------------------------------------------------------------------------------------------------------------------------------------------------------------------------------------------------------------------------------------------------------------------------------------------------------------------------------------------------------------------------------------------------------------------------------------|
| CSCdp07834 | <p>Description</p> <p>The number of messages that the card can process is only 50. When there are 50 messages to log and if there is a task failure, it could cause a card reset.</p> <p>Symptoms</p> <ol style="list-style-type: none"> <li>1. Watchdog timeout reset</li> <li>2. Power reset</li> </ol> <p>If identify is caused by this bug, look at the log just before the card reset, and if there are many logs from the card that got reset, then it is probably because of the log message queue becoming full.</p> <p>Workaround</p> <p>There are no workarounds for this problem.</p> |
| CSCdp10567 | The ausm ima group remains in "insufficient links, when it should return to operational state.                                                                                                                                                                                                                                                                                                                                                                                                                                                                                                   |
| CSCdp14073 | Need dspabit type command on Popeye                                                                                                                                                                                                                                                                                                                                                                                                                                                                                                                                                              |
| CSCdp20130 | Telnet sessions fail after download of a private image.                                                                                                                                                                                                                                                                                                                                                                                                                                                                                                                                          |
| CSCdp27035 | When a slave connection is added in AUSM-8 without specifying the mastership flag as 2 (1- master, 2 - slave), and without specifying the remote connection ID, the connection addition goes through (taking the connection as Slave by default). At the same time, if the mastership flag is specified as 2 without specifying the remote connection ID, the connection addition fails and returns an error "Destination Unknown". The connection addition should go through in this case too w/o having to specify the remote connection ID as this is a slave connection.                     |
| CSCdp27247 | Reset of standby PXM which had the active aps line caused aps failures.                                                                                                                                                                                                                                                                                                                                                                                                                                                                                                                          |
| CSCdp32748 | The traps 50102/50103 sent on loopback and loopback recovery is not in sync with MIB. They are meant for DS3 and not T1/E1. AUSM should send separate traps.                                                                                                                                                                                                                                                                                                                                                                                                                                     |
| CSCdp32924 | SYSTEM ERROR 21134 0 0 -1564757288 1 after switchaps s 1 after cnfclksrc                                                                                                                                                                                                                                                                                                                                                                                                                                                                                                                         |
| CSCdp33629 | RPM card does not send func module insert trap after becoming active. while loading RPM image, which involves a reset of RPM. After some time emc removed the RPM card (popeye7.12) from card table. But did not repopulate it when the card came back and became active.                                                                                                                                                                                                                                                                                                                        |
| CSCdp34450 | Traps not generated upon auto-deletion of PVCs. Connections on an AUSM were automatically deleted. There needs to be a TRAP generated by the PXM whenever an auto-delete occurs.                                                                                                                                                                                                                                                                                                                                                                                                                 |

| Bug ID     | Description                                                                                                                                                                                                                                                                                                                          |
|------------|--------------------------------------------------------------------------------------------------------------------------------------------------------------------------------------------------------------------------------------------------------------------------------------------------------------------------------------|
| CSCdp34541 | On newrev of popfmt42 (executed on slot 8) following upgrade to 1.1.12Km, the console received the following message many, many times on slot 7:<br>spm: rmResyncEptBlk() ERROR - pPortBlk is NULL                                                                                                                                   |
| CSCdp34590 | When adding 1:1 or 1:N redundancy, the check must be performed to make sure that there is no existing connections on the SM to be provisioned as redundant SM.                                                                                                                                                                       |
| CSCdp34914 | The ausm ima group remains in "insufficient links, when it should return to operational state.                                                                                                                                                                                                                                       |
| CSCdp35045 | After a whole night running the script to switchcc, we found the channels are alarms. Par declares "local interface failure " for all connections even though some cards having data continuity well. From PXM the connections are indicated failed.                                                                                 |
| CSCdp35453 | E1 clock with 120 ohms external clock does not sync up                                                                                                                                                                                                                                                                               |
| CSCdp36477 | switchcc on 8850 causes a Sig_F aps line switch on BPX                                                                                                                                                                                                                                                                               |
| CSCdp36541 | Manual aps switch results in log entries and traps                                                                                                                                                                                                                                                                                   |
| CSCdp37509 | Failure of manual aps switch does not generate error messages                                                                                                                                                                                                                                                                        |
| CSCdp37523 | When a manual aps switch is executed (from w-->p or p-->w), trap # 50607 is sent out, however the reason associated with this trap is aps lockout.                                                                                                                                                                                   |
| CSCdp37538 | Last user request affects aps switching.<br>If switchyred is executed on the attached BPX, then aps switch will occur on the 8850 from one line to the other(known problem), if last-user-request=clear<br>If last-user-request is not clear then 8850 will execute the last user request when a switchyred is performed on the BPX. |
| CSCdp38848 | There should be 7 parameters for the CLI command "cnfchanpol". But when we type cnfchanpol, the Syntax only gives us 6 parameters, missing one "egrat".<br>The correct syntax :<br>cnfchanpol "Port.DLCI/chan_num cir bc be ibs detag egrat"                                                                                         |
| CSCdp38873 | There are several traps that use a varbind called "listLinksPresentInImaGroup". This varbind only lists the ACTIVE links in the IMA group. Need varbind for "ConfiguredLinks" in relevant axis traps.                                                                                                                                |
| CSCdp38986 | FRPM-FRSM-2CT3 :Frames leaving CT3 lines are not ok                                                                                                                                                                                                                                                                                  |
| CSCdp39867 | Typographical error in sub net mask in bootchange command causes PXM to get stuck in reset loop.                                                                                                                                                                                                                                     |
| CSCdp39978 | VISM image needs to support 64 MB memory                                                                                                                                                                                                                                                                                             |

| Bug ID     | Description                                                                                                                                                                                                                                                                                                                                                                                                                                                                                                                                                                                                                                                                                                                                                                                                                                                                                                   |
|------------|---------------------------------------------------------------------------------------------------------------------------------------------------------------------------------------------------------------------------------------------------------------------------------------------------------------------------------------------------------------------------------------------------------------------------------------------------------------------------------------------------------------------------------------------------------------------------------------------------------------------------------------------------------------------------------------------------------------------------------------------------------------------------------------------------------------------------------------------------------------------------------------------------------------|
| CSCdp41865 | delln will not work if aps configured on line, yet user is allowed to issue delln, and no warning is issued.                                                                                                                                                                                                                                                                                                                                                                                                                                                                                                                                                                                                                                                                                                                                                                                                  |
| CSCdp42415 | PAR changes for clrsmcnf/restoresmcnf functionality.                                                                                                                                                                                                                                                                                                                                                                                                                                                                                                                                                                                                                                                                                                                                                                                                                                                          |
| CSCdp42530 | switchyred on BPX caused aps oscillation                                                                                                                                                                                                                                                                                                                                                                                                                                                                                                                                                                                                                                                                                                                                                                                                                                                                      |
| CSCdp42644 | <p>Currently the slave end of an established connection can be deleted and re-added back without deleting the master end.</p> <p>This created two problems:</p> <ol style="list-style-type: none"> <li>1. if the slave end is on a SM, then the CBC's RAM will not be reprogrammed correctly and as a result, traffic won't pass after slave re-add.</li> <li>2. If the slave end is on PXM UNI, the RCMP will not be properly reprogrammed after the slave re-add.</li> </ol>                                                                                                                                                                                                                                                                                                                                                                                                                                |
| CSCdp43711 | <p>Problem : When adding a DAX connection between AUSM and PXM, the connection goes into alarm, although there are no line or port alarms.</p> <p>Symptoms : This problem has been observed when the AUSM end of the connection is added as a slave first, followed by adding the BBchan end on the PXM as master.</p> <p>We tried to duplicate this problem in the lab with 1.1.20 and made the following observations.</p> <ol style="list-style-type: none"> <li>1. This problem occured with AUSM ,but not with CESM or FRSM-VHS</li> <li>2. This problem only happened when the AUSM end was added as slave first.</li> </ol> <p>Workaround :</p> <ol style="list-style-type: none"> <li>1. Add the PXM UNI end of the connection first, as master, followed by the AUSM end as slave.</li> <li>2. Add the PXM UNI end of the connection first, as slave, followed by the AUSM end as master.</li> </ol> |
| CSCdp43981 | Allow SAR service rate change for VBR-RT and High Priority connections                                                                                                                                                                                                                                                                                                                                                                                                                                                                                                                                                                                                                                                                                                                                                                                                                                        |
| CSCdp45202 | Channels on AUSM automatically deleted require a trap to be sent                                                                                                                                                                                                                                                                                                                                                                                                                                                                                                                                                                                                                                                                                                                                                                                                                                              |
| CSCdp45402 | AUSM8 resets if you give line number greater than 8 in upport/addport command. There doesn't appear to be any error checking on the line number for upping/adding a port on the AUSM8 card. If I enter "upport 1 1 9" (or anything other than 1-8...) the card resets.                                                                                                                                                                                                                                                                                                                                                                                                                                                                                                                                                                                                                                        |

| Bug ID     | Description                                                                                                                                                                                                                                                                                                                                                                                                                                                                                                                                                                                                                          |
|------------|--------------------------------------------------------------------------------------------------------------------------------------------------------------------------------------------------------------------------------------------------------------------------------------------------------------------------------------------------------------------------------------------------------------------------------------------------------------------------------------------------------------------------------------------------------------------------------------------------------------------------------------|
| CSCdp48649 | <p>Symptom: Not able to add ABR1 connection from PXMUNI to PXMUNI (3-segment) whenever the fdrtrunk has some of its bandwidth used-up due to other conns.</p> <p>Scenario: Using SV+ to add ABR1 connection. The SCR field is default to the maximum port bandwidth and not editable (greyout). If there is atleast one other connection already added, the available bandwidth will be less than that of the port speed. The new connection addition will fail.</p> <p>Work Around: Use CLI to add connection (addcon) then modify the SCR to the desired value (within what is available) via cnfupcabr (another CLI command).</p> |
| CSCdp48888 | <p>Hot removal of the MGX-FAN assembly may cause fan monitoring circuitry components on the PXM1 to fail. This problem is observed 20% of the time when the MGX-FAN assembly is removed while the shelf is powered up. DSPSHELALM will show normal fan operation when infact there is a fan failure.</p>                                                                                                                                                                                                                                                                                                                             |
| CSCdp50661 | <p>When a switchapsln is executed, the line that the switch takes place from, reports a Sig_D condition. dspbecnt reports an error burst on both lines.</p>                                                                                                                                                                                                                                                                                                                                                                                                                                                                          |
| CSCdp54033 | <p>restoresmcf allows user to not specify BRAM version causing slot corrup</p>                                                                                                                                                                                                                                                                                                                                                                                                                                                                                                                                                       |
| CSCdp54784 | <p>The traps 50102/50103 sent on loopback and loopback recovery is not in sync with MIB.They are meant for DS3 and not T1/E1. AUSM should send seperate traps.</p>                                                                                                                                                                                                                                                                                                                                                                                                                                                                   |
| CSCdp55190 | <p>When a back to back (DTE and DCE) cables connected, it shows LOS DCD and CTS are OFF for the port configured as DTE, for the DCE port it reports as RTS is OFF.</p>                                                                                                                                                                                                                                                                                                                                                                                                                                                               |
| CSCdp55318 | <p>Inconsistencies are occurring when an imagrp is configured and a softswitch is performed. Re-starting the imagrp results in no change as well.</p>                                                                                                                                                                                                                                                                                                                                                                                                                                                                                |
| CSCdp55390 | <p>CESM-T3/E3 Port failed even when the loop back is present.</p>                                                                                                                                                                                                                                                                                                                                                                                                                                                                                                                                                                    |
| CSCdp56075 | <p>clrsmcf did not clear configuration from card with 3000+ connections.</p>                                                                                                                                                                                                                                                                                                                                                                                                                                                                                                                                                         |
| CSCdp56099 | <p>restoresmcf did not restore PXM end of feeder connections to FRSM-2CT3.</p>                                                                                                                                                                                                                                                                                                                                                                                                                                                                                                                                                       |
| CSCdp56148 | <p>TFTP memory leaks over time</p>                                                                                                                                                                                                                                                                                                                                                                                                                                                                                                                                                                                                   |
| CSCdp56238 | <p>PAR needs to return proper error code in case of VPI_VCI_IN_USE</p>                                                                                                                                                                                                                                                                                                                                                                                                                                                                                                                                                               |
| CSCdp56265 | <p>MGX switchcc, and BPX switchyred causes line failures and alarm reporting inconsistencies.</p>                                                                                                                                                                                                                                                                                                                                                                                                                                                                                                                                    |
| CSCdp56281 | <p>sswitchyred on BPX causes MGX aps lines to alternately go into Sig_D mode</p>                                                                                                                                                                                                                                                                                                                                                                                                                                                                                                                                                     |
| CSCdp57534 | <p>CLI commands such as dspelksrc/dsplmiloop not available on a system w/ 1.1.21Lc</p>                                                                                                                                                                                                                                                                                                                                                                                                                                                                                                                                               |

| Bug ID     | Description                                                                                                                                                                                                                                                                                                                                                                                                                                                                                                                                                                                                                                                                               |
|------------|-------------------------------------------------------------------------------------------------------------------------------------------------------------------------------------------------------------------------------------------------------------------------------------------------------------------------------------------------------------------------------------------------------------------------------------------------------------------------------------------------------------------------------------------------------------------------------------------------------------------------------------------------------------------------------------------|
| CSCdp58787 | Manual switchapsIn caused R_AM to be reported under status, though BPX does not show any alarms.                                                                                                                                                                                                                                                                                                                                                                                                                                                                                                                                                                                          |
| CSCdp58800 | DI_MIS reported under APS_ST after 1.1.21Le upgrade.                                                                                                                                                                                                                                                                                                                                                                                                                                                                                                                                                                                                                                      |
| CSCdp58811 | When clrsmcnf executed on an empty slot, the slot shows reserved status instead of empty.                                                                                                                                                                                                                                                                                                                                                                                                                                                                                                                                                                                                 |
| CSCdp59449 | ESE (Egress service Engine) fails with variable frame-length traffic.                                                                                                                                                                                                                                                                                                                                                                                                                                                                                                                                                                                                                     |
| CSCdp60056 | Symptom:Unable to modify NWIP. NWIP no longer matches cnfifip 37 and no cnfnwip command exists.<br>Conditions:Occurs in releases > 1.1.11<br>Workaround:Downgrade to release 1.1.11 and change the nwip then upgrade back up.                                                                                                                                                                                                                                                                                                                                                                                                                                                             |
| CSCdp62227 | Event log contains incorrect information about line numbers when manual aps switch is blocked due to line failure.                                                                                                                                                                                                                                                                                                                                                                                                                                                                                                                                                                        |
| CSCdp62482 | SM downloads fail intermittently.                                                                                                                                                                                                                                                                                                                                                                                                                                                                                                                                                                                                                                                         |
| CSCdp66005 | Symptoms:<br>PXM UNI connections added on a port which is in alarm remain in alarm even after the port alarm is cleared.<br>Conditions:<br>This problem is reproducible. If connections already existing on a clear port are put in alarm by causing a port alarm, the alarms get cleared on clearing the port alarm. Only connections added on a port in alarm remain in alarm state even after clearing the port alarm. This problem was first seen in image 1.1.21Lc.<br>Workaround:<br>Before adding UNI connections originating from any SM, make sure that the ports at the two endpoints are clear of any alarms. Alarms on a connection can also be cleared by doing an SM reset. |
| CSCdp65652 | Event log and aps error count display incorrect when errors injected on one aps line.                                                                                                                                                                                                                                                                                                                                                                                                                                                                                                                                                                                                     |
| CSCdp65827 | SD fixing should be done also by oc12                                                                                                                                                                                                                                                                                                                                                                                                                                                                                                                                                                                                                                                     |
| CSCdm81344 | If you cannot overwrite on an existing RPM config file on PXM disk and are getting "%error opening c: filename (bad file number)" message then delete (rm <filename>) the existing file and then copy the new file.                                                                                                                                                                                                                                                                                                                                                                                                                                                                       |
| CSCdp65808 | During addition of line lpbk, both pxms rebooted and partitioned. Lost configuration.                                                                                                                                                                                                                                                                                                                                                                                                                                                                                                                                                                                                     |

| Bug ID     | Description                                                                                                                                                                                                                                                                                                                                                                                                                                                                                                                                                                                                                                                                            |
|------------|----------------------------------------------------------------------------------------------------------------------------------------------------------------------------------------------------------------------------------------------------------------------------------------------------------------------------------------------------------------------------------------------------------------------------------------------------------------------------------------------------------------------------------------------------------------------------------------------------------------------------------------------------------------------------------------|
| CSCdp65596 | <p>Symptom: bbChanConnDesc not set properly in PXM cards. When user does snmp query on this object..., valid information is not returned.</p> <p>Conditions : Always</p> <p>Workaround : None</p>                                                                                                                                                                                                                                                                                                                                                                                                                                                                                      |
| CSCdp68360 | <p>Softswitch command should always be used per Cisco DE's, therefore customer is requesting that the switchback cli command be disabled.</p>                                                                                                                                                                                                                                                                                                                                                                                                                                                                                                                                          |
| CSCdp68343 | <p>Cannot do snmp walk on MGX for RPM connections on some slots.</p>                                                                                                                                                                                                                                                                                                                                                                                                                                                                                                                                                                                                                   |
| CSCdp65673 | <p>clrsmcnf executed on non-red FRSM-2CT3 returned card to standby.</p>                                                                                                                                                                                                                                                                                                                                                                                                                                                                                                                                                                                                                |
| CSCdp50536 | <p>Failed trap needs to be sent out on heartbeat failure.</p>                                                                                                                                                                                                                                                                                                                                                                                                                                                                                                                                                                                                                          |
| CSCdp58709 | <p>RPMs on IPFRMT40 failed from 1-4 and 9-10.</p>                                                                                                                                                                                                                                                                                                                                                                                                                                                                                                                                                                                                                                      |
| CSCdp04883 | <p>The extended ping command through a "cc" channel is not recommended for use as a "traffic generator." This command overloads the IPC channel with "!" to be printed out through the PXM. The IPC channel bandwidth is limited and without any means of traffic classification. Hence, if the channel is fully loaded it is expected that the other cc sessions will fall back to the PXM. From 1.1.21, there will also be an indication when this happens. This command can be used through the console port.</p>                                                                                                                                                                   |
| CSCdp52180 | <p>During FTP testing, with PVCs going from an AXIS endpoint to an MGX endpoint, the customer was observing the daily measurement, and found that the MGX is taking much longer to recover from an SRM failure. On an SRM switchover, hot standby needs to be implemented on SRM. The total switchover time in the current setup is greater than 2.5 seconds, which causes the T1 lines of the service module to go into alarm, and then the recovery time is also added. Hence the traffic loss.</p> <p>Workaround:</p> <p>If we increase the line integration time on T1 lines on the service module to 5 seconds from a default time of 2.5 seconds, lines don't go into alarm.</p> |
| CSCdp65557 | <p>Symptom:</p> <p>When you perform a softswitch from Primary AUSM to Secondary AUSM in non-bulk mode, if the system is very busy, the remote equipment may notice LOF or LOS. It is intermittent.</p> <p>Workaround:</p> <p>None.</p>                                                                                                                                                                                                                                                                                                                                                                                                                                                 |

| Bug ID     | Description                                                                                                                                                                                                                                                                                                                                                                                     |
|------------|-------------------------------------------------------------------------------------------------------------------------------------------------------------------------------------------------------------------------------------------------------------------------------------------------------------------------------------------------------------------------------------------------|
| CSCdp65019 | <p>Symptom:</p> <p>If you 'cc' to new active card after 'softswitch' for AUSM-8T1/E1 cards in 1:N redundancy, you may observe some delay or telnet session may fall back.</p> <p>Workaround:</p> <p>Wait a minute and execute 'cc' again.</p>                                                                                                                                                   |
| CSCdp54765 | <p>Symptom:</p> <p>Unable to add port on an existing FRSM.</p> <p>Conditions:</p> <p>ASC and FRSM running 4.0.17 and 4.0.19 respectively.</p> <p>Workaround:</p> <p>Reset FRSM card in slot that experienced the problem.</p>                                                                                                                                                                   |
| CSCdm29969 | <p>Symptom:</p> <p>Some of the lines are going into alarm condition during the graceful upgradation of FRSM-8P card.</p> <p>Conditions:</p> <p>This problem is happening only when the VHS back cards are present on the shelf.</p> <p>Workaround:</p> <p>No workaround.</p>                                                                                                                    |
| CSCdp02900 | <p>Symptom:</p> <p>Customer indicates that DSPCHANS shows non-existing PVC's.</p> <p>Work Around:</p> <p>None.</p>                                                                                                                                                                                                                                                                              |
| CSCdp54781 | <p>Symptom:</p> <p>Loss of traffic for UBR connections on the AUSM card even when UPC is disabled.</p> <p>Conditions:</p> <p>For UBR connections on the AUSM card when UPC is disabled but CLP tagging option is enabled, cells are discarded (cells that are already tagged CLP1).</p> <p>Work Around:</p> <p>Disabling the CLP tagging option at this point causes data to start flowing.</p> |

| Bug ID     | Description                                                                                                                                                                                                                                                                                                                                                                                                                                                                                                 |
|------------|-------------------------------------------------------------------------------------------------------------------------------------------------------------------------------------------------------------------------------------------------------------------------------------------------------------------------------------------------------------------------------------------------------------------------------------------------------------------------------------------------------------|
| CSCdp51646 | <p>Symptom:</p> <p>Active line physically connected to deleted line is out of alarm.</p> <p>Conditions:</p> <p>On an AUSM shelf, connect line 1 to line 8. Then addln 1 and addln 8, and delln 8. Then reset the card. When the card becomes active, line 1 is out of alarm. Line 1 goes to alarm when the cable to line 8 is removed and recovers upon re-attaching.</p> <p>Work Around:</p> <p>None.</p>                                                                                                  |
| CSCdp47079 | <p>Symptom:</p> <p>Policing, by default is turned off on certain PXM connections (VBR and ABR).</p> <p>Conditions:</p> <p>There is no specific environment that creates this problem. The problem was observed in the 1.1.20 release. VBR-rt conns. couldnt be added in this release. However, default policing on VBR-rt conns. was off in the 1.1.11Ja image.</p> <p>Workaround:</p> <p>The only solution as of now is to explicitly turn the policing on connections for which it is off by default.</p> |
| CSCdm83319 | <p>Symptom:</p> <p>Command not available.</p> <p>Description:</p> <p>This is a CLI enhancement not a bug.</p> <p>Condition:</p> <p>Not applicable.</p> <p>Work around:</p> <p>Currently not available.</p>                                                                                                                                                                                                                                                                                                  |
| CSCdk65545 | <p>Symptom:</p> <p>Secondary card fails to cover primary in 1:N redundancy when using 8-port back-cards and the primary is physically removed from the chassis.</p> <p>Workaround:</p> <p>Issue a soft reset via the "resetcd" command to switch between primary and secondary service modules.</p>                                                                                                                                                                                                         |
| CSCdp50541 | <p>Symptom:</p> <p>This problem might result in occasional slips seen on cesm connections.</p> <p>Workaround:</p> <p>Reconfigure the clock on the PXM if the PXM has Inband clock. Internal clock configuration does not affect the cesm connections.</p>                                                                                                                                                                                                                                                   |

| Bug ID     | Description                                                                                                                                                                                                                                                                                                                                      |
|------------|--------------------------------------------------------------------------------------------------------------------------------------------------------------------------------------------------------------------------------------------------------------------------------------------------------------------------------------------------|
| CSCdm54916 | <p>Conditions:</p> <p>This problem is intermittent.</p> <p>Symptoms:</p> <p>cesm-t1 with uni connections start showing ais-oam cell incrementing. This can be seen using dspchancnt. However, no traffic loss has been observed because of these ais cell increment.</p> <p>Work Around :</p> <p>There is currently no work around for this.</p> |
| CSCdp60418 | <p>WorkAround:</p> <p>This needs further investigation and currently does not have any impact on the functionality. There is no known workaround for this.</p>                                                                                                                                                                                   |
| CSCdp63737 | <p>WorkAround:</p> <p>This does not have any workaround. This needs further investigation and currently does not have any impact on the functionality.</p>                                                                                                                                                                                       |
| CSCdp41488 | <p>WorkAround:</p> <p>This does not have any workaround. This needs further investigation and currently does not have any impact on the functionality. This is a negative test condition.</p>                                                                                                                                                    |
| CSCdm48519 | <p>Symptom:</p> <p>140 second data hit when a FRSM-2CT3 gets reset.</p> <p>Condition:</p> <p>When non redundant card having more number of channels is reset, it takes more than two minutes for traffic continuity to work.</p> <p>Workaround:</p> <p>There is no work around.</p>                                                              |
| CSCdm28951 | <p>Symptom:</p> <p>PXM having wrong A-bit status.</p> <p>Conditions:</p> <p>Unknown.</p> <p>Workaround:</p> <p>None.</p>                                                                                                                                                                                                                         |

| Bug ID     | Description                                                                                                                                                                                                                                                                                                                                                                                                                                                                                                                                                                                                                                                                                                                                                      |
|------------|------------------------------------------------------------------------------------------------------------------------------------------------------------------------------------------------------------------------------------------------------------------------------------------------------------------------------------------------------------------------------------------------------------------------------------------------------------------------------------------------------------------------------------------------------------------------------------------------------------------------------------------------------------------------------------------------------------------------------------------------------------------|
| CSCdm44173 | <p>Symptom:</p> <p>Negative test failure. Changing the DC type results in connection being lost.</p> <p>Conditions:</p> <p>Changing the daughtercard type (e.g. oc3 to t3 or vice-versa) results in teh PXM connections to be lost. This is due to the restore failure on a different physical interface type. Once the type of the daughtercard is changed, the line driver will not add the line due to a different card type. However, the higher modules (PAR, VSI), etc. must have a mechanism in case of a restore failure and should not result in connection deletion.</p> <p>Workaround:</p> <p>None.</p>                                                                                                                                               |
| CSCdm46394 | <p>Symptom:</p> <p>SYSTEM ERROR 20208 occurred during SM images upgrading to 10.0.02_01June99_1.</p> <p>Condition:</p> <p>This is a one-time occurrence. The following is observed:</p> <pre data-bbox="602 951 1101 1071">##### ##### SYSTEM ERROR 20208 1 1179649 #####</pre> <p>Description:</p> <p>The above error indicates that PAR is receiving bulk interface trap before the interfaces known to PAR, so PAR is logging the bad interface system error. This is a rare race condition. Subsequently when the individual port trap comes, the interface will be created in PAR properly.</p> <p>Workaround:</p> <p>None. This error is not causing any problem as the port state will be updated correctly subsequently by the individual port trap.</p> |
| CSCdp31887 | <p>Symptom:</p> <p>Protection APS line, when active, does not go into Sig_fail state when threshold is reached, and goes into P_B state when working line is made to go into Signal_Degrade</p>                                                                                                                                                                                                                                                                                                                                                                                                                                                                                                                                                                  |
| CSCdm79651 | <p>Symptom:</p> <p>Losing telnet session</p> <p>Condition:</p> <p>When dspcons is execution and there are around 1000 connections and the PAGEMODE is "OFF"</p> <p>Workaround:</p> <p>Avoid turning off PAGEMODE</p>                                                                                                                                                                                                                                                                                                                                                                                                                                                                                                                                             |

| Bug ID     | Description                                                                                                                                                                                                                                                                                                                                                                                                                                                                                                                                             |
|------------|---------------------------------------------------------------------------------------------------------------------------------------------------------------------------------------------------------------------------------------------------------------------------------------------------------------------------------------------------------------------------------------------------------------------------------------------------------------------------------------------------------------------------------------------------------|
| CSCdp03133 | <p>Symptom:</p> <p>ABCD bits are being corrupted through a CAS-to-CAS connection after the CESM has been reset.</p> <p>Workaround:</p> <p>Delete the MGX 8220 channels and re-add them.</p>                                                                                                                                                                                                                                                                                                                                                             |
| CSCdp41924 | <p>Symptom:</p> <p>Could not access system due to task spawn failures</p>                                                                                                                                                                                                                                                                                                                                                                                                                                                                               |
| CSCdp20457 | <p>Symptom:</p> <p>"xnmbrowser" when used to perform snmp sets, gets and walks accepts any string for the community name, as long as the lengths of the correct name and the supplied name are the same and the first characters of the two names match. As a result, any name that matches the above described pattern will be accepted by the browser. The problem has been fixed and the fix will reflect in Rel 1.1.22.</p>                                                                                                                         |
| CSCdp38636 | <p>Symptom:</p> <p>dspcds shows both primary and secondary sms as active even though one of the cards failed.</p> <p>Condition:</p> <p>pulling the function module during switch over</p> <p>Workaround:</p> <p>User has to pull out the front-card and insert it back. Currently there is no work-around for this.</p>                                                                                                                                                                                                                                 |
| CSCdp44377 | <p>Symptom:</p> <p>Egress Service Engine (ESE) fails while it's sending 244 bytes LMI Full status message.</p> <p>Condition:</p> <p>Annex-A or Annex-D should be enabled on at least one port with 46 connections.</p> <p>WorkAround:</p> <p>User should disable LMI before adding 46th connection, add one more dummy connection to avoid 244 bytes packet and enabled LMI again.</p>                                                                                                                                                                  |
| CSCdp41980 | <p>Symptom :</p> <p>There is 1-N redundancy between ausm-8t1 in slot 5,6, &amp; 13 with the ausm in slot5 &amp; slot6 being the primary cards and slot-13 being the secondary card. when the cards in slot 5 &amp; 13 are inserted and if 13 becomes the active card then ,there is continuous cell-loss on the feeder connections associated with slot-6 .The ausm-8t1 in slot-6 comes up in standby state and cc to logical active &lt;slot-6&gt; fails.</p> <p>Workaround :</p> <p>Do not try to make the secondary card to become active first.</p> |

| Bug ID     | Description                                                                                                                                                                                                                                                                                                                                                                                                                                                                                                                                                                                                                                                                                                                                                                                                                                                                                                                                                                                                                                                                                                                                                                                                                                                                                                                                                                                                                                           |
|------------|-------------------------------------------------------------------------------------------------------------------------------------------------------------------------------------------------------------------------------------------------------------------------------------------------------------------------------------------------------------------------------------------------------------------------------------------------------------------------------------------------------------------------------------------------------------------------------------------------------------------------------------------------------------------------------------------------------------------------------------------------------------------------------------------------------------------------------------------------------------------------------------------------------------------------------------------------------------------------------------------------------------------------------------------------------------------------------------------------------------------------------------------------------------------------------------------------------------------------------------------------------------------------------------------------------------------------------------------------------------------------------------------------------------------------------------------------------|
| CSCdm05358 | <p>Symptom:</p> <p>When modifying a particular protected memory address on CESM8p which causes CESM HW watchdog reset, PXM got reset or lost SAR functionality.</p> <p>Description:</p> <p>When this happens, CESM sent a huge amount of traffic onto the management connection which is supposed to be used for intercard communication activities such as polling.</p> <p>This traffic causes the SAR to spend all its resources on doing the cleaning/flushing in ISR (interrupt service).</p> <p>This address should never be modified using the shellConn 'modify' command. It was used unknowingly in debug/test process.</p> <p>Workaround:</p> <p>Don't try to modify this protected address in shellConn (m 0xb300060) (0xb300060 is ATMizer CPU address for SAR on CESM8P).</p> <p>As a general guideline, shellConn commands like 'modify memory' should not be used by the customer.</p>                                                                                                                                                                                                                                                                                                                                                                                                                                                                                                                                                  |
| CSCdm10722 | <p>Symptom/Condition:</p> <p>The install, newrev and commit commands for service module upgrade (there is no concept of downgrade here, as there exists only one valid, service module image on the disk at a time), do not follow, the same state machine as PXM commands in the current release.</p> <p>Hence, it is mandatory, that for service modules, these commands are given in the documented order, which is:</p> <ol style="list-style-type: none"> <li>(1) install</li> <li>(2) newrev</li> <li>(3) commit</li> </ol> <p>WARNING: If these, commands are not given in the above specified order, we can be in a situation where we can have two different images running on the primary/secondary combination. However, on the disk, there is only one valid image for the service modules.</p> <p>Workaround:</p> <p>Assuming, that these commands were given out of order, and now we have two different images, running, on primary / secondary combination.</p> <p>f1 - Old image version</p> <p>f2 - Newly downloaded image</p> <ol style="list-style-type: none"> <li>(1) Reset the secondary card, so that it comes up, with f2.</li> <li>(2) Do a softswitch between the two cards, so that secondary takes over and becomes active. At the same time, primary is reset, and comes up with f2.</li> <li>(3) If you may, you can now, do a softswitch, to revert back to the original primary, to restore normal state.</li> </ol> |

| Bug ID     | Description                                                                                                                                                                                                                                                                                                                                                                                                                                                                                                                                                                                                                                                                                                                                                                                                                                                                                                                                                                                                                                                                                                                                                                |
|------------|----------------------------------------------------------------------------------------------------------------------------------------------------------------------------------------------------------------------------------------------------------------------------------------------------------------------------------------------------------------------------------------------------------------------------------------------------------------------------------------------------------------------------------------------------------------------------------------------------------------------------------------------------------------------------------------------------------------------------------------------------------------------------------------------------------------------------------------------------------------------------------------------------------------------------------------------------------------------------------------------------------------------------------------------------------------------------------------------------------------------------------------------------------------------------|
| CSCdp17253 | <p>This is related to an earlier bug CSCdm42508. Marketing requirement stated that the IMA feature should always be enabled on the card. And therefore any IMA operation on the card will go through irrespective of whether the IMA feature bit is ON or OFF. The change in CLI was left out in this earlier fix that was made in regards to this issue. Since the PXM reads the actual feature bits for dspmconf, and maybe since one of the cards had actually the IMA feature bit off, there was a mismatch between the PXM feature bits and those of the SMs (SM ignores the IMA feature bit). This caused the SMs to go into mismatch.</p> <p>A solution to avoid this problem is to make sure before switchover, that both the primary and secondary cards in the AUSM 1:N red group have the same "feature bits" enabled. i.e. If any of the feature bits is ON in either card, it should be ON on the other too. And even though the IMA feature bit is displayed ON, it will be safer to execute dspfeature 420 97/0 to turn the bit ON/OFF, so that the PXM sees a consistent view. This way, the cards won't go into mismatch state when they are swapped.</p> |
| CSCdp65370 | <p>Symptom:</p> <p>When a T3 or E3 line indicates an alarm condition, the corresponding port state is not updated correctly. Port State is still displayed as active instead of "failed due to line".</p> <p>Conditions:</p> <p>This happens whenever the line is in LOS alarm. This does not affect normal ATM side traffic flow or the Egress TDM traffic.</p> <p>Workaround:</p> <p>None.</p>                                                                                                                                                                                                                                                                                                                                                                                                                                                                                                                                                                                                                                                                                                                                                                           |

## Problems Fixed in Release 1.1.21

| <b>Bug ID</b> | <b>Description</b>                                                                                                                                                                                                                                  |
|---------------|-----------------------------------------------------------------------------------------------------------------------------------------------------------------------------------------------------------------------------------------------------|
| CSCdp39955    | <p>Symptom</p> <p>Deleted channels on FRSM reappearing after the card is reset.</p> <p>Condition:</p> <p>When delchan was issued on the FRSM , FRSM did not send a disk update message to the PXM. this seems to be a FRSM-related issue.</p>       |
| CSCdp35989    | <p>Symptom:</p> <p>A flood of invalid LMI frames overruns the LMI queue causing random LMI failures on other ports.</p> <p>Condition:</p> <p>Flooding LMI frames on one port.</p> <p>Workaround:</p> <p>Stop the flood of invalid LMI messages.</p> |

## Problems Fixed in Release 1.1.20

| Bug ID     | Description                                                                                                                                                                                                                                                                                                                                                                                                                                                                                                                                                                                                                                                                                                                                                                                                                                                                                                                                                    |
|------------|----------------------------------------------------------------------------------------------------------------------------------------------------------------------------------------------------------------------------------------------------------------------------------------------------------------------------------------------------------------------------------------------------------------------------------------------------------------------------------------------------------------------------------------------------------------------------------------------------------------------------------------------------------------------------------------------------------------------------------------------------------------------------------------------------------------------------------------------------------------------------------------------------------------------------------------------------------------|
| CSCdk63920 | <p>Symptom</p> <p>Adding connection on PXM interface with VPI value larger than 255 will be successful, but the data will not flow.</p> <p>Condition</p> <p>On PXM BBIF (broadband interface), HW supports VPI range of 0-4095. However, there is a FW restriction which limits the VPI range to 0-255. The result of this further limit that a feeder connection originated from a service module (SM) can have a VPI value no larger than 255 on the feeder trunk; and a connection between a SM and PXM UNI can have a VPI value on the PXM UNI interface of no more than 255.</p> <p>Example 1:</p> <pre> SM - PXM feeder trunk - bpx - bpx - PXM feeder trunk - SM VPI value [0-255] [0-255] [0-255] [0-255] </pre> <p>Example 2:</p> <pre> SM --- PXM UNI VPI range [0-255] [0-255] </pre> <p>For all other DAX conns this is not an issue, since SMs only support VPI up to 255.</p> <p>Workaround:</p> <p>Use VPI 0 - 255 when adding connections.</p> |
| CSCdm00200 | <p>Symptom:</p> <p>PCI errors cause VISM to reboot without displaying/logging error source!</p>                                                                                                                                                                                                                                                                                                                                                                                                                                                                                                                                                                                                                                                                                                                                                                                                                                                                |
| CSCdm14439 | <p>Symptom:</p> <p>Cannot stop an UPLOAD data capture session once it begins.</p>                                                                                                                                                                                                                                                                                                                                                                                                                                                                                                                                                                                                                                                                                                                                                                                                                                                                              |
| CSCdm21316 | <p>Symptom:</p> <p>Can not do clrsmcnf for a VISM card</p>                                                                                                                                                                                                                                                                                                                                                                                                                                                                                                                                                                                                                                                                                                                                                                                                                                                                                                     |
| CSCdm33635 | <p>Conditions:</p> <p>During switchback, dspcds shows neither card as active.</p> <p>Symptoms:</p> <p>During switchback processing for a 1:1 redundant FRSM-2CT3, neither card is shown active; there is also no redundancy indication.</p> <p>Workaround:</p> <p>There is currently no work around for this.</p>                                                                                                                                                                                                                                                                                                                                                                                                                                                                                                                                                                                                                                              |

| Bug ID     | Description                                                                                                                                                                                                                                                                                                                                                                                                                                                                                                                                                                                                                                                                                                                                       |
|------------|---------------------------------------------------------------------------------------------------------------------------------------------------------------------------------------------------------------------------------------------------------------------------------------------------------------------------------------------------------------------------------------------------------------------------------------------------------------------------------------------------------------------------------------------------------------------------------------------------------------------------------------------------------------------------------------------------------------------------------------------------|
| CSCdm33996 | <p data-bbox="565 289 686 325">Symptom:</p> <p data-bbox="565 336 1521 401">Error log shows an invalid SSI_MQID of 0xFFFFFFFF has been passed as an argument to SSI calls by the "tSmterd" task.</p> <p data-bbox="565 457 708 493">Conditions:</p> <p data-bbox="565 504 1521 569">This may occur if the user tries to "cc" to a standby PXM immediately after it becomes "standby".</p> <p data-bbox="565 625 716 661">Workaround:</p> <p data-bbox="565 672 1521 735">The "cc" session with the above error will fail. The user can try again in 30 seconds after the CPU is free from the busy-burst right after the board turns "standby".</p>                                                                                               |
| CSCdm35462 | <p data-bbox="565 766 686 802">Symptom:</p> <p data-bbox="565 812 1076 848">Unable to add SRM lines from PXM in slot 8</p> <p data-bbox="565 858 618 894">Fix:</p> <p data-bbox="565 905 1521 995">The Line and alarm related commands are modified to allow Slots 8, 16 and 32 as valid arguments if PXM at slot 8 is active. The following commands are affected by this:</p> <ul data-bbox="565 1052 748 1715" style="list-style-type: none"> <li>* addln</li> <li>* delln</li> <li>* cnfln</li> <li>* dspln</li> <li>* dsplns</li> <li>* addlnloop</li> <li>* dellnloop</li> <li>* cnfsrc</li> <li>* dspsrc</li> <li>* dspalm</li> <li>* dspalms</li> <li>* dspalment</li> <li>* clralment</li> <li>* clralm</li> <li>* dspalmentf</li> </ul> |

| <b>Bug ID</b> | <b>Description</b>                                                                                                                                                                                                                                                                                                                                                                                                                                                                                                                                                             |
|---------------|--------------------------------------------------------------------------------------------------------------------------------------------------------------------------------------------------------------------------------------------------------------------------------------------------------------------------------------------------------------------------------------------------------------------------------------------------------------------------------------------------------------------------------------------------------------------------------|
| CSCdm38278    | <p>Symptom:<br/>CiscoView enables SRM line automatically if other parameters are altered.</p> <p>Conditions:<br/>Do a Line....config on any T3 line on an active SRM card.<br/>Verify if the line is disabled</p> <p>Try altering any of the parameters in the “Physical Line Config(dsx3)” menu. For example, change the line loopback from dsx3NoLoop to dsx3remoteline loop.<br/>The “Line Enable” parameter also automatically gets toggled and the line gets enabled.</p>                                                                                                 |
| CSCdm40113    | <p>Symptom:<br/>It takes over 20 minutes for the FRSM-2CT3 cards to go active after a clralenf command has been issued.</p> <p>Conditions:<br/>Occurs when there are several FRSM-2CT3s in the shelf along with other service modules.</p> <p>Workaround:<br/>None. Wait for cards to go active.</p> <p>Further Problem Description:<br/>Creation of default service module config takes a long time and is processed one service module at a time. Subsequently, all the other SM wait to go active until the default config upload for all the service modules are done.</p> |
| CSCdm45217    | <p>Symptom:<br/>SM shows misleading Reset reason</p>                                                                                                                                                                                                                                                                                                                                                                                                                                                                                                                           |
| CSCdm45565    | <p>Symptom:<br/>Cannot add ATM-ATM connection due to wrong UPC values</p>                                                                                                                                                                                                                                                                                                                                                                                                                                                                                                      |
| CSCdm49847    | <p>Symptom:<br/>dsplns returns undefined symbol dsplns on FRSM-VHS2E3</p>                                                                                                                                                                                                                                                                                                                                                                                                                                                                                                      |
| CSCdm57910    | <p>Symptom:<br/>An Address load Exception occurred on the ACTIVE PXM.</p>                                                                                                                                                                                                                                                                                                                                                                                                                                                                                                      |
| CSCdm60448    | <p>Symptom:<br/>SRM-3T3 X-bits not in compliance with standards</p>                                                                                                                                                                                                                                                                                                                                                                                                                                                                                                            |
| CSCdm61211,   | <p>Symptom:</p>                                                                                                                                                                                                                                                                                                                                                                                                                                                                                                                                                                |
| CSCdm61376    | <p>dsptrkload does not show any information about trunk load.</p>                                                                                                                                                                                                                                                                                                                                                                                                                                                                                                              |

| <b>Bug ID</b> | <b>Description</b>                                                                                                                    |
|---------------|---------------------------------------------------------------------------------------------------------------------------------------|
| CSCdm63240    | Symptom:<br>IMA ports on AUSM cards connected back to back via bulk distribution through SRM are disabled for 15 seconds on switchcc. |
| CSCdm64109    | Symptom:<br>AUSM does not report an LOS when link is deleted from SRM                                                                 |
| CSCdm66841    | Symptom:<br>0 Slot ID sent from Atmizer to CB Slave                                                                                   |
| CSCdm68837    | Symptom:<br>Softswitch on the FRSM-2CT3 cards takes 2 minutes per 100 connections to execute.                                         |
| CSCdm68952    | Symptom:<br>runslftstno 5 run on AUSM shows Disk Data Corruption even though test passes                                              |
| CSCdm73833    | Symptom:<br>Dspchancnt on AUSM should show current ingress queue length                                                               |
| CSCdm73841    | Symptom:<br>Missing IMA link counters in AUSM CLI.                                                                                    |
| CSCdm74358    | Symptom:<br>k_chanCntGrp has not been implemented in VISM 1.0                                                                         |
| CSCdm75342    | Symptom:<br>After reseted, all configuration for HS2 card is lost                                                                     |
| CSCdm76573    | Symptom:<br>dsx3LineLength setting is not working for FRSM-2T3/E3                                                                     |
| CSCdm77618    | Symptom:<br>PXM Core Redundancy is lost if the right/bottom latch is opened and closed                                                |
| CSCdm78193    | Symptom:<br>Traffic generation functionality does not work in FRSM 8E1                                                                |
| CSCdm78448    | Symptom:<br>FRSM-2CT3 card displays 'temporarily out of buffers' when scrolling through a dspcons display.                            |
| CSCdm80527    | Symptom:<br>Cannot set dsx3PlcpPayloadScramble from SNMP.                                                                             |

| Bug ID      | Description                                                                                                                                                                                                                                                                                                                                                                                                                                                                                                                                                                                                                                                                                                                                                                                                                                                                                                                                                                                                                                                                                                  |
|-------------|--------------------------------------------------------------------------------------------------------------------------------------------------------------------------------------------------------------------------------------------------------------------------------------------------------------------------------------------------------------------------------------------------------------------------------------------------------------------------------------------------------------------------------------------------------------------------------------------------------------------------------------------------------------------------------------------------------------------------------------------------------------------------------------------------------------------------------------------------------------------------------------------------------------------------------------------------------------------------------------------------------------------------------------------------------------------------------------------------------------|
| CSCdm80773  | Symptom:<br>clralm/clralms command does not provide help syntax                                                                                                                                                                                                                                                                                                                                                                                                                                                                                                                                                                                                                                                                                                                                                                                                                                                                                                                                                                                                                                              |
| CSCdm81358  | Symptom:<br>Softswitch on AUSM causes remote end to go in and out of alarm.<br>Condition<br>When a softswitch is done, the DS1 lines are through the distribution bus (SRM) and the SRM now has to send the data to a different card (Redundant card), this causes a glitch (errors) in the DS1 lines. The AIM Group goes into failed state because of these errors. When the AIM Group goes into failed state the channels go into alarm and so the remote end of the channel also goes into alarm. When the AIM Group recovers, the channels come out of alarm.<br>Workaround:<br>Do not report the port alarm immediately to the connection manager. Integrate the port alarm for 't' seconds. If the alarm persists even after time 't', inform connection manager. Else, connection manager need not know about alarm at all. The main disadvantage of connections going into alarm at all. The main disadvantage of connections going into alarm, is that recovery time is in seconds. So delay in data transfer is going to be more. This is avoided by masking the port alarm to connection manager. |
| CSCdm81375  | Symptom:<br>Phantom channels on cards that don't have lines or ports enabled                                                                                                                                                                                                                                                                                                                                                                                                                                                                                                                                                                                                                                                                                                                                                                                                                                                                                                                                                                                                                                 |
| CSCdm84845, | Symptom:                                                                                                                                                                                                                                                                                                                                                                                                                                                                                                                                                                                                                                                                                                                                                                                                                                                                                                                                                                                                                                                                                                     |
| CSCdm84850  | Card Information field (Card Reset Reason) is not consistent with the CLI.                                                                                                                                                                                                                                                                                                                                                                                                                                                                                                                                                                                                                                                                                                                                                                                                                                                                                                                                                                                                                                   |
| CSCdm86362  | Symptom:<br>Comfort Noise is not turned ON when VAD is turn ON.                                                                                                                                                                                                                                                                                                                                                                                                                                                                                                                                                                                                                                                                                                                                                                                                                                                                                                                                                                                                                                              |
| CSCdm88721  | Symptom:<br>In a shelf with core card redundancy, both PXMs got reset while executing switchcc.                                                                                                                                                                                                                                                                                                                                                                                                                                                                                                                                                                                                                                                                                                                                                                                                                                                                                                                                                                                                              |
| CSCdm90248  | Symptom:<br>All the channels do not come out of alarm after a hot standby switchback<br>Description:<br>The active card and the standby card can have different configurations if the line is in clear state, because no line clear trap would be sent after the active trap.<br>Resolution:<br>The system now clears the port state after receiving functionModuleActive trap.                                                                                                                                                                                                                                                                                                                                                                                                                                                                                                                                                                                                                                                                                                                              |
| CSCdm90295  | Symptom:<br>Remote loops put up are not displayed by dspln command                                                                                                                                                                                                                                                                                                                                                                                                                                                                                                                                                                                                                                                                                                                                                                                                                                                                                                                                                                                                                                           |

| <b>Bug ID</b> | <b>Description</b>                                                                                                                                                                                                                                                                                                                                                                                                                                                                                                                                                                                                                                                                                                                                                                                                                                                                                                                 |
|---------------|------------------------------------------------------------------------------------------------------------------------------------------------------------------------------------------------------------------------------------------------------------------------------------------------------------------------------------------------------------------------------------------------------------------------------------------------------------------------------------------------------------------------------------------------------------------------------------------------------------------------------------------------------------------------------------------------------------------------------------------------------------------------------------------------------------------------------------------------------------------------------------------------------------------------------------|
| CSCdm91925    | <p>Symptom:<br/>Some commands execute after entering only one letter.</p> <p>Description:<br/>The 3 commands actually correspond to:<br/>f = format<br/>s = saveallcnf<br/>b = bootChange</p> <p>The first one “f” is the most harmful. this could format the PXM hard-disk. The next two are not harmful though. It appears that these three commands appear first among all the commands that begin with these letters. This is also found to be true on the Popeye shelf. This is not found with all letters.</p> <p>The CLI Command Parser searches for the closest match if it cannot find the exact match. Sometimes there is only one command beginning with certain characters; like there is only one command beginning with “f” i.e. formatdisk. Hence that command is executed when only one alphabet is typed. In this case to let the user know what command is executed, the executed command name is displayed.</p> |
| CSCdm92288    | <p>Symptom:<br/>On removal of the active back-card, redundancy switchover fails in hot-stdby</p> <p>Condition:<br/>Resetting the standby card while it is being configured to be a hot standby. In this case, Primary (17) is active and Secondary(19) is in HotStandby. The backcard of 17 was removed and NOT reinserted. This causes switchover to 19, which becomes active. The PXM now tries to make 17 to be a Hot Standby and to do so downloads the PRI file to 17. While the PRI download is in progress, the backcard of 17 is reinserted, causing 17 to reset and the PRI download to fail.</p> <p>WorkAround:<br/>Remember that both inserting and removal of backcards cause VHS cards to reset. Allow standby cards to become hotstandby by waiting for a few minutes before resetting them. You can find out if the card is in hot standby by executing the “dsphotstandby” command on the PXM.</p>                 |
| CSCdm92305    | <p>Symptom:<br/>dspcds, dspred &amp; dsphotstandby commands display inconsistent card states</p>                                                                                                                                                                                                                                                                                                                                                                                                                                                                                                                                                                                                                                                                                                                                                                                                                                   |
| CSCdm93789    | <p>Symptom:<br/>Memory leak causes SM to mismatch after running resetcd.</p>                                                                                                                                                                                                                                                                                                                                                                                                                                                                                                                                                                                                                                                                                                                                                                                                                                                       |
| CSCdm93970    | <p>Symptom:<br/>Image mismatch when downloading firmware to standby PXM in backup boot.</p>                                                                                                                                                                                                                                                                                                                                                                                                                                                                                                                                                                                                                                                                                                                                                                                                                                        |

| Bug ID      | Description                                                                                                                                                                                                                                                                                                                                                                                                                |
|-------------|----------------------------------------------------------------------------------------------------------------------------------------------------------------------------------------------------------------------------------------------------------------------------------------------------------------------------------------------------------------------------------------------------------------------------|
| CSCdm94630  | Symptom:<br>Multiple traps generated due to reset of standby PXM.                                                                                                                                                                                                                                                                                                                                                          |
| CSCdp00721  | Symptom:<br>Redundant active CT3 card comes up in mismatch & standby doesn't take over                                                                                                                                                                                                                                                                                                                                     |
| CSCdp00894  | Symptom:<br>tftp put command creates the wrong file name when option<br>POPEYE@PXM.FW used                                                                                                                                                                                                                                                                                                                                 |
| CSCdp00909  | Symptom:<br>Customer needs a way to identify node via CLI as SES                                                                                                                                                                                                                                                                                                                                                           |
| CSCdp00911  | Symptom:<br>APS lost track of which PXM is active and won't allow commands on active PXM                                                                                                                                                                                                                                                                                                                                   |
| CSCdp02813  | Symptom:<br>FRSM-VHS - tstcon/tstdelay to UXM UNI port cons fail nearly every time                                                                                                                                                                                                                                                                                                                                         |
| CSCdp04258  | Symptom:<br>PXM drops incremental updates while SM goes to HotStandby                                                                                                                                                                                                                                                                                                                                                      |
| CSCdp04475  | Symptom:<br>Rounding off errors occur when CWM and the CLI are used together to configure a<br>ForeSight connection.<br>Conditions:<br>Refer to Eng-Note for the details.<br>Workaround:<br>Since the CLI takes any value greater than the CIR converted to CPS (with rounding<br>off errors. e.g 1333cps for a 512k connection), to avoid the problem user should do<br>the rounding off manually and give it in the CLI. |
| CSCdp05115  | Symptom:<br>Cell-loss on CESM-feeder connections after new-rev command execution                                                                                                                                                                                                                                                                                                                                           |
| CSCdp07010, | Symptom:                                                                                                                                                                                                                                                                                                                                                                                                                   |
| CSCdm57910  | Could not configure i/f as trunk initially until background check failed                                                                                                                                                                                                                                                                                                                                                   |
| CSCdp08034  | Symptom:<br>Timezone gets reset back to GMT after PXM FW upgrade.                                                                                                                                                                                                                                                                                                                                                          |

| Bug ID      | Description                                                                                                                                                                                                                                                                                                                                                                                                                                                                                                                                                                                                                                                                                                                                                                                                                                                                                                                                                                                                                                                                                                                                                                                                                                                                                                                                                |
|-------------|------------------------------------------------------------------------------------------------------------------------------------------------------------------------------------------------------------------------------------------------------------------------------------------------------------------------------------------------------------------------------------------------------------------------------------------------------------------------------------------------------------------------------------------------------------------------------------------------------------------------------------------------------------------------------------------------------------------------------------------------------------------------------------------------------------------------------------------------------------------------------------------------------------------------------------------------------------------------------------------------------------------------------------------------------------------------------------------------------------------------------------------------------------------------------------------------------------------------------------------------------------------------------------------------------------------------------------------------------------|
| CSCdp08186  | <p>Symptom:<br/>PXM went into a constant reboot state after a resetsys was issued.</p> <p>Conditions:<br/>The contents of the hard disk is corrupted on two rpm connections: vpi/vci 0/97 and vpi/vci 0/320. 0/97 has illegal port number 96. 0/320 has illegal port number 319. Both of these cause exception when trying to access the port block structure, thus result in reset.<br/>The prevention to skip the access to illegal port block is already in 1.1.12. However the root cause of the corruption is still under investigation.</p> <p>Workaround:<br/>Due to the corruption in the hard disk, when the PXM is going through a reset, it will be trapped in this reset loop. In some occasion, with redundant PXMs, the reset loop stops after 3-5 iterations. If it does not breakout of the loop by itself, the following command must be entered at the shellConn prompt after VxWorks banner appears:</p> <pre>dbmClrAllCnf</pre> <p>&lt;ctrl&gt; &lt;x&gt; (to reset the card)</p> <p>The system will come up with empty database, except nodename and ip address. The configuration has to be added.</p> <p>Since the saved configuration has the corrupted contents from the hard disk, performing “restoreallcnf -f filename.zip” will encounter this exception again during the channel mib parsing. This result in reset loop.</p> |
| CSCdp11717  | <p>Symptom:<br/>Security risk with hard coded community strings for SNMP access</p> <p>Workaround:<br/>There is currently no work around for this.</p>                                                                                                                                                                                                                                                                                                                                                                                                                                                                                                                                                                                                                                                                                                                                                                                                                                                                                                                                                                                                                                                                                                                                                                                                     |
| CSCdp11982  | <p>Symptom:<br/>OC3 jitter higher than the normal standards specs</p>                                                                                                                                                                                                                                                                                                                                                                                                                                                                                                                                                                                                                                                                                                                                                                                                                                                                                                                                                                                                                                                                                                                                                                                                                                                                                      |
| CSCdp12285  | <p>Symptom:<br/>FRSM-2CT3 card failed during data transfer</p>                                                                                                                                                                                                                                                                                                                                                                                                                                                                                                                                                                                                                                                                                                                                                                                                                                                                                                                                                                                                                                                                                                                                                                                                                                                                                             |
| CSCdp12705  | <p>Symptom:<br/>Standby VHS card not taking over when the ACTIVE VHS card is reset.</p>                                                                                                                                                                                                                                                                                                                                                                                                                                                                                                                                                                                                                                                                                                                                                                                                                                                                                                                                                                                                                                                                                                                                                                                                                                                                    |
| CSCdp14439  | <p>Symptom:<br/>clrallcnf fixed so that it does not default the netmask.</p>                                                                                                                                                                                                                                                                                                                                                                                                                                                                                                                                                                                                                                                                                                                                                                                                                                                                                                                                                                                                                                                                                                                                                                                                                                                                               |
| CSCdp15333, | <p>Symptom:</p>                                                                                                                                                                                                                                                                                                                                                                                                                                                                                                                                                                                                                                                                                                                                                                                                                                                                                                                                                                                                                                                                                                                                                                                                                                                                                                                                            |
| CSCdp15346  | <p>EIR MIB Implementation for 0 CIR connections</p>                                                                                                                                                                                                                                                                                                                                                                                                                                                                                                                                                                                                                                                                                                                                                                                                                                                                                                                                                                                                                                                                                                                                                                                                                                                                                                        |

| Bug ID | Description |
|--------|-------------|
|--------|-------------|

|            |                                                 |
|------------|-------------------------------------------------|
| CSCdp15490 | Symptom:<br>dspcd got wrong backcard NVRAM info |
|------------|-------------------------------------------------|

|            |                                                                                                                                     |
|------------|-------------------------------------------------------------------------------------------------------------------------------------|
| CSCdp16649 | Symptom:<br>System reset caused during upgrade to 1.1.11Jd<br>Conditions:<br>Upgrade was being performed from 1.1.11Ja to 1.1.11Jd. |
|------------|-------------------------------------------------------------------------------------------------------------------------------------|

The **install 1.1.11Jd** command was executed on slot 8; slot 7 came up in hold state. The **newrev 1.1.11Jd** command was executed on slot 8, at which point the shelf reset. After the reset, Slot 7 (1.1.11Jd) came up active, slot 8 was in hold (1.1.11Ja). When the **dsplog** command was executed, it could not read the last file. This file was manually transferred over, its contents are as follows:

**dsplog**

```
^M10/08/1999-12:02:19 08 tTnCmdTsk01INST-7-COMMAND1      install
1.1.11jD
^M10/08/1999-12:02:25 08 tTnCmdTsk01INST-7-COMMAND1      install
1.1.11Jd
^M10/08/1999-12:02:27 07 tPMM      PMM-7-RST_REQ      Reset
request: , 1
^
```

Workaround:

There is currently no work around for this.

|            |                                                                                                                         |
|------------|-------------------------------------------------------------------------------------------------------------------------|
| CSCdp17156 | Symptom:<br>Removal of active PXM backcard, caused APS switch as expected, but clocking reverted to internal oscillator |
|------------|-------------------------------------------------------------------------------------------------------------------------|

Conditions:

XM=1.1.11Jd

System is configured for APS.

Primary clock source is set to derive from uplink trunk.

When the line module backcard was removed from the active PXM, APS switch took place to the protection line as expected. However the clock source (as viewed from dspcurclk) reverted to the internal oscillator, instead of continuing to derive from the protection line. It stayed on the internal oscillator until the backcard was re-installed on the active PXM - the aps line continued to stay on protection because aps was configured as non-revertive.

Workaround:

Do not remove back card.

| <b>Bug ID</b> | <b>Description</b>                                                                                                                                                                                                                                                                                                                                                                                                                          |
|---------------|---------------------------------------------------------------------------------------------------------------------------------------------------------------------------------------------------------------------------------------------------------------------------------------------------------------------------------------------------------------------------------------------------------------------------------------------|
| CSCdp17292    | Symptom:<br>FRSM-2CT3 card fails after multiple softswitch                                                                                                                                                                                                                                                                                                                                                                                  |
| CSCdp18806    | Symptom:<br>Disk cache not updated when boot fails                                                                                                                                                                                                                                                                                                                                                                                          |
| CSCdp26382    | Symptom:<br>Protection APS line, when active, does not go into Sig_fail state when threshold is reached, and goes into P_B state when working line is made to go into Signal_Degrade.                                                                                                                                                                                                                                                       |
| CSCdp26521    | Symptom:<br>Secondary card went into FAILED state while upgrading from 1.1.12Kh to Kj.                                                                                                                                                                                                                                                                                                                                                      |
| CSCdp27483    | Symptom:<br>SPM null pointer fixes                                                                                                                                                                                                                                                                                                                                                                                                          |
| CSCdp28741    | Symptom:<br>dsptrkload does not show any information about trunk load                                                                                                                                                                                                                                                                                                                                                                       |
| CSCdp29095    | Symptom:<br>PXM1-OC12 config upload file incorrect                                                                                                                                                                                                                                                                                                                                                                                          |
| CSCdp29275    | Symptom:<br>System error msgs 21205, 21202, 20617 & 20420<br>Condition:<br>The delay is due to the creation time of the FRSM-VHS database on the disk. This delay is only introduced the first time the card is inserted or after clrallcnf.<br>Workaround:<br>Wait for card to go active. The Hot Standby Feature has been introduced for VHS to mitigate this problem. With a hot standby the switchover happens in less than one second. |
| CSCdp29597    | Symptom:<br>Software Exception:Vector 2 EPC:0x8003580c ADR:0x0e1d2ea0                                                                                                                                                                                                                                                                                                                                                                       |

| Bug ID      | Description                                                                                                                                                                                                                                                                                                                                                                                                                                                                                                                                                                               |
|-------------|-------------------------------------------------------------------------------------------------------------------------------------------------------------------------------------------------------------------------------------------------------------------------------------------------------------------------------------------------------------------------------------------------------------------------------------------------------------------------------------------------------------------------------------------------------------------------------------------|
| CSCdp29775  | <p>Symptom:<br/>Several FRSM-8T1 &amp; VHS Service Modules were in failed/stdby after upgrade and resetsys</p> <p>Condition:<br/>The upgrade procedure went through fine but after executing the resetsys command the FRSM-8T1 &amp; VHS service modules which had redundancy came up in failed state.</p> <p>Workaround:<br/>None.</p>                                                                                                                                                                                                                                                   |
| CSCdp35045  | <p>Symptom:<br/>All the connections declared failed after switchcc</p> <p>Condition:<br/>After switchcc, channels are in alarm. PAR declares “local interface failure“ for all connections even though some cards still have data continuity. From PXM the connections indicate “failed”.</p>                                                                                                                                                                                                                                                                                             |
| CSCdp41514  | <p>Symptom:<br/>Some conns goes to FAILED (with error Local I/F failure) even though I/F is UP</p> <p>Workaround:<br/>When the connection state is seen to be incorrect immediately after provisioning as described in this bug report (e.g. FAILED when it should have been OK), following is a workaround to rectify the status:<br/>Delete Master End and Slave End<br/>Provision Slave End and Master End<br/>Check that connection Status is OK (assuming there are no other genuine reasons for the connection status to be failed - like interface failure, alarm due to AIS).</p> |
| CSCdm83469, | Symptom:                                                                                                                                                                                                                                                                                                                                                                                                                                                                                                                                                                                  |
| CSCdp08711  | Lines on FRSM get disabled                                                                                                                                                                                                                                                                                                                                                                                                                                                                                                                                                                |

## Problems Fixed in Release 1.1.12

| Bug ID     | Description                                                                                                                                                                                                                                                                                                                                                                                                                                                                                                           |
|------------|-----------------------------------------------------------------------------------------------------------------------------------------------------------------------------------------------------------------------------------------------------------------------------------------------------------------------------------------------------------------------------------------------------------------------------------------------------------------------------------------------------------------------|
| CSCdk72991 | <p>Symptom:</p> <p>FRSM-VHS takes several minutes to go active when inserted the first time or after clrallcnf.</p> <p>Condition:</p> <p>The delay is due to the creation time of the FRSM-VHS database on the disk. This delay is only introduced the first time the card is inserted or after clrallcnf.</p> <p>Workaround:</p> <p>Wait for card to go active. The Hot Standby Feature has been introduced for VHS to mitigate this problem. With a hot standby the switchover happens in less than one second.</p> |
| CSCdm89192 | <p>Symptom:</p> <p>Oscillation of APS lines on switchcc.</p>                                                                                                                                                                                                                                                                                                                                                                                                                                                          |
| CSCdm46620 | <p>Symptom:</p> <p>PXM and SRM do not display the Fab # via dspcd command like other SMs</p>                                                                                                                                                                                                                                                                                                                                                                                                                          |
| CSCdm49706 | <p>Symptom:</p> <p>PXM gives unwanted Error Messages after switchcc</p>                                                                                                                                                                                                                                                                                                                                                                                                                                               |
| CSCdp16642 | <p>Symptom:</p> <p>dspln -ds3 command does not work for SRMs in 1.1.11Jd</p> <p>Conditions:</p> <p>When the PXM firmware is of a version later than 1.1.11Ja and the PXM back card is not a T3 back card.</p> <p>Workaround:</p> <p>Issue the command dsplns -ds3 &lt;slotno&gt; to get the required information.</p> <p>Further Problem Description:</p> <p>The problem occurs because of an invalid conditional checking during the display.</p>                                                                    |

**Bug ID            Description**

CSCdm45533    Symptom:  
Round trip delay test results do not change on changing CDVT for CE-CE connection

Conditions:

1. While adding a connection, the aal1driver added the connection with default CDVT of 1000us. After adding the connection, the CDVT was configured. This effect of CDVT change was felt only after a channel failure
2. When modifying CDVT with cnfcon too, the same problem was found, because of the CBR traffic, the buffer size cannot be changed dynamically without dropping data, hence it was not possible to see the effect of change in CDVT immediately.

Workaround:

1. The first problem can be overcome by using CWM or the xcnfchan command to add a connection with value of CDVT different from the default
2. For dynamic changes in round trip as a result of CDVT changes, a shellConn command is introduced to synchronize the SAR queues. This command would, however, cause a momentary traffic disruption for CDVT to take effect

NODENAME.1.4.CESM.a > dspcons

| Line         | ConnId         | ChanNum | Status | CDVT  | MaxBufSize | CLIP |
|--------------|----------------|---------|--------|-------|------------|------|
| CBRservice   |                |         |        |       |            |      |
| 1            | NODENAME.4.1.0 | 32      | Mod    | 10000 | 5120       | 2500 |
| unstructured |                |         |        |       |            |      |
| 2            | NODENAME.4.2.0 | 33      | Mod    | 10000 | 5120       | 2500 |
| unstructured |                |         |        |       |            |      |

ChanNumNextAvailable: 35

NODENAME.1.4.CESM.a > shellConn

NODENAME.1.4.CESM.a > SyncChan 32

SyncChan 32  
value = 0 = 0x0

The command reports an error if it is unsuccessful. It takes channel number (not connection number) as an argument and does range checking for valid channels.

CSCdm54264    Symptom:  
RPM DAX connection is not rejected when conflict

CSCdm59885    Symptom:  
Connections with mismatched endpoints should be rejected

| Bug ID     | Description                                                                                                                                                                                                                                                                                                                                                                                                                                                                                                                                                                                                                                                                                                                                                                                         |
|------------|-----------------------------------------------------------------------------------------------------------------------------------------------------------------------------------------------------------------------------------------------------------------------------------------------------------------------------------------------------------------------------------------------------------------------------------------------------------------------------------------------------------------------------------------------------------------------------------------------------------------------------------------------------------------------------------------------------------------------------------------------------------------------------------------------------|
| CSCdm61180 | <p>Symptom:<br/>Able to change passwords without knowing password</p> <p>Synopsis:<br/>When a user wants to change the password, the CLI interface does not ask the user for the old password. Hence lack of security.</p> <p>Description:<br/>Irrespective of user GROUP ACCESS, he/she can change their password without knowing the old password.</p> <p>Workaround:<br/>This problem is fixed in release 1.1.12. Users belonging to SUPER USER GROUP are not prompted for the old password; while users belonging to other GROUPS are prompted for old password before they are allowed to change their current password.</p>                                                                                                                                                                   |
| CSCdm45141 | <p>Symptom:<br/>Switchcc displays ssiFrameXmt failed and VSI master: invalid sw clock info pg</p> <p>Condition:<br/>The ssiXmtFrame failure was caused by SCM transmitting on GLCN=0, which is reserved. This is due to scmSwitch including slot 31 and slot 32 which are not mapped in SCM master.</p> <p>switchcc on PXM displays the following message in the PXM log:</p> <pre> 1. ssiFrameXmt failed, error status -1 - 31 dropped 2. Vsi master: invalid sw clock info pg ; 2, 3, -2104681808 - 1 dropped 05/27/1999-06:16:13 07 PAR:Vsi      PAR-7-VSIM_DEBUG Vsi master: invalid sw clock info pg ; 2, 3, -2104681808 - 1 dropped 05/27/1999-06:16:10 07 PAR:Vsi      PAR-7-VSIM_DEBUG Vsi master: invalid sw clock info pg ; 2, 3, -2104681808 </pre> <p>Workaround:<br/>No workaround</p> |
| CSCdm61405 | <p>Symptom:<br/>The bootChange information does not get propagated to a newly installed card</p>                                                                                                                                                                                                                                                                                                                                                                                                                                                                                                                                                                                                                                                                                                    |
| CSCdm69913 | <p>Symptom:<br/>Checksum blocks not sync between controller and slave</p>                                                                                                                                                                                                                                                                                                                                                                                                                                                                                                                                                                                                                                                                                                                           |
| CSCdm83431 | <p>Symptom:<br/>Cannot telnet into an MGX 8850 shelf, but shows alive on ping</p>                                                                                                                                                                                                                                                                                                                                                                                                                                                                                                                                                                                                                                                                                                                   |
| CSCdm86705 | <p>Symptom:<br/>PLCP payload scrambling enable/disable needs to be supported</p>                                                                                                                                                                                                                                                                                                                                                                                                                                                                                                                                                                                                                                                                                                                    |

| <b>Bug ID</b> | <b>Description</b>                                                                                                                                                                                                                                                                                                                                                                                                                                                                                                                                                                                                                                                                                                                                                                                                                                                                                                                                                   |
|---------------|----------------------------------------------------------------------------------------------------------------------------------------------------------------------------------------------------------------------------------------------------------------------------------------------------------------------------------------------------------------------------------------------------------------------------------------------------------------------------------------------------------------------------------------------------------------------------------------------------------------------------------------------------------------------------------------------------------------------------------------------------------------------------------------------------------------------------------------------------------------------------------------------------------------------------------------------------------------------|
| CSCdm91291    | <p>Symptom:<br/>CWM flooded with APS trap 50606</p> <p>Conditions:<br/>Under Signal Degrade conditions, the MGX 8850 floods CWM with APS trap 50606</p>                                                                                                                                                                                                                                                                                                                                                                                                                                                                                                                                                                                                                                                                                                                                                                                                              |
| CSCdm59422    | <p>Symptom:<br/>PXM declares RPM as Failed when CPU reaches high utilization.</p> <p>Conditions:<br/>The RPM is a NPE-150 based router card capable to sustain traffic up-to 150,000pps. The RPM limits it to 62,000pps because of its single switch interface design. Under heavy load (data or controlled traffic) the CPU utilization increases which breaks the IPC communication channel between the PXM and RPM card, due to which PXM declares RPM as Failed. Under such condition the provisioning commands will time-out as the PXM assumes that the RPM card is not available, whereas the RPM will continue to pass traffic.</p> <p>WorkAround:<br/>It is recommended for OSPF configurations to limit the number of networks to 20 or less and the MPLS configuration to limit the interface to 100 or less. Doing so will guarantee a sustainable traffic with a low CPU utilization and hence the CPU will be able to service IPC channel traffic.</p> |
| CSCdp02058    | <p>Symptom:<br/>Memory leak observed when master connection deleted</p>                                                                                                                                                                                                                                                                                                                                                                                                                                                                                                                                                                                                                                                                                                                                                                                                                                                                                              |
| CSCdp02415    | <p>Symptom:<br/>Bulk overflow system errors for conn addition beyond half of max-con limit</p>                                                                                                                                                                                                                                                                                                                                                                                                                                                                                                                                                                                                                                                                                                                                                                                                                                                                       |
| CSCdm94636    | <p>Symptom:<br/>APS switch causes Db plfm: aps disk update failed in ssiDb Update in log</p>                                                                                                                                                                                                                                                                                                                                                                                                                                                                                                                                                                                                                                                                                                                                                                                                                                                                         |
| CSCdp04474    | <p>Symptom:<br/>An LOS condition was cleared on an APS line, and neither a trap or an entry in the switch log was generated</p>                                                                                                                                                                                                                                                                                                                                                                                                                                                                                                                                                                                                                                                                                                                                                                                                                                      |
| CSCdp06288    | <p>Symptom:<br/>All FRSM-VHS cards get into mismatch on downgrading to 1.1.11</p>                                                                                                                                                                                                                                                                                                                                                                                                                                                                                                                                                                                                                                                                                                                                                                                                                                                                                    |
| CSCdp06386    | <p>Symptom:<br/>APS - doing addapsln with OC12 interface causes both PXMs to reboot constantly</p>                                                                                                                                                                                                                                                                                                                                                                                                                                                                                                                                                                                                                                                                                                                                                                                                                                                                   |
| CSCdp07688    | <p>Symptom:<br/>PAR ERROR - SYSTEM ERROR 20418 when deleting connection</p>                                                                                                                                                                                                                                                                                                                                                                                                                                                                                                                                                                                                                                                                                                                                                                                                                                                                                          |

| <b>Bug ID</b> | <b>Description</b>                                                                                                                                                                                                                                                                            |
|---------------|-----------------------------------------------------------------------------------------------------------------------------------------------------------------------------------------------------------------------------------------------------------------------------------------------|
| CSCdp08594    | Symptom:<br>Every 55 minutes MGX 8850 sends out 18 fan traps.                                                                                                                                                                                                                                 |
| CSCdp09205    | Symptom:<br>Not able to add 12K complete connections in MGX 8850 shelf                                                                                                                                                                                                                        |
| CSCdp10299    | Symptom:<br>Standby PXM got reset during switchcc                                                                                                                                                                                                                                             |
| CSCdp07383    | Symptom:<br>APS alarm status is not provided in the MGX 8850 node, this must be provided                                                                                                                                                                                                      |
| CSCdp04380    | Symptom:<br>A switchcc caused by software error on node with 12000 connections                                                                                                                                                                                                                |
| CSCdk87710    | Symptom:<br>Decrease in number of CLP set cells.<br>Problem :<br>In a feeder environment, with connections between frsm-vhs at both ends, it was observed that the total cells sent, and received on other end did tally, but there was a decrease observed in the number of clp1 cell count. |
| CSCdm35110    | Symptom:<br>Traffic dropped in Adaptive mode in CESM 8t1 card                                                                                                                                                                                                                                 |
| CSCdm65796,   | Symptom:                                                                                                                                                                                                                                                                                      |
| CSCdm94176    | Remote loops put up on FRSM-2CT3 are not detected by the dspln command                                                                                                                                                                                                                        |
| CSCdm69833    | Symptom:<br>AUSM default connection parameter values severely impact data                                                                                                                                                                                                                     |
| CSCdm72334    | Symptom:<br>FRSM-2CT3 DS3 line loopback not available                                                                                                                                                                                                                                         |
| CSCdm72343    | Symptom:<br>FRSM-2CT3 M-frame seq for OOF not evaluated                                                                                                                                                                                                                                       |
| CSCdm75968    | Symptom:<br>Universal(12in1) backcard must support X.21                                                                                                                                                                                                                                       |
| CSCdm77348    | Symptom:<br>CESM front card does not reset when backcard is re-inserted                                                                                                                                                                                                                       |

| Bug ID     | Description                                                                                                                                                                                                                                                                                                                                                                                                                                                                                                                                                                                                                                                     |
|------------|-----------------------------------------------------------------------------------------------------------------------------------------------------------------------------------------------------------------------------------------------------------------------------------------------------------------------------------------------------------------------------------------------------------------------------------------------------------------------------------------------------------------------------------------------------------------------------------------------------------------------------------------------------------------|
| CSCdm81340 | Symptom:<br>AUSM slot 7 on axis shelf mysteriously switched to slot 14 <CSCdm10441>                                                                                                                                                                                                                                                                                                                                                                                                                                                                                                                                                                             |
| CSCdm81362 | Symptom:<br>singleBitErrCorrection missing from the tftp table <CSCdm44566>                                                                                                                                                                                                                                                                                                                                                                                                                                                                                                                                                                                     |
| CSCdm81363 | Symptom:<br>Huge traps 50900/50901 sent on line errors. <CSCdm54102>                                                                                                                                                                                                                                                                                                                                                                                                                                                                                                                                                                                            |
| CSCdm81366 | Symptom:<br>AUSM card with Bad PRI which pass checksum test ... <CSCdm60447>                                                                                                                                                                                                                                                                                                                                                                                                                                                                                                                                                                                    |
| CSCdm82908 | Symptom:<br>Clock synchronization is required in loop timing                                                                                                                                                                                                                                                                                                                                                                                                                                                                                                                                                                                                    |
| CSCdm83655 | Symptom:<br>Bit and Framing errors were detected using the on-board T1/E1 service module BERT feature, and also with an external BERT test when the T1s were distributed from an SRM connected to an M13.<br><br>Further Problem Description:<br><br>When the T1 framer is configured in line loopback, there is no dejittering involved in the path. This causes bit errors for traffic from distribution bus , which is more susceptible to noise.<br><br>To eliminate these jitter induced errors, now the framer is configured for payload loopback in response to a loopup request. The jitter tolerance is improved with framer in payload loopback mode. |
| CSCdm83787 | Symptom:<br>runslftstno 5 gets Disk Data Corruption message (similar to bug CSCdm68952)                                                                                                                                                                                                                                                                                                                                                                                                                                                                                                                                                                         |
| CSCdm84900 | Symptom:<br>After adding some connections, HS2 card goes into constant failed state<br><br>Problem & Reason:<br><br>When one of the feeder cable was bad and it was causing a lot of LCV's, HEC errors and also going on and off the MAJOR alarm state, some of the OAM cells from the far end connection were received as data and this triggered the card failing problem.<br><br>Workaround:<br><br>None if the bad cable cannot be replaced with a good one.                                                                                                                                                                                                |
| CSCdm49144 | Symptom:<br>CLI support required with Port.dlci as Connection Index                                                                                                                                                                                                                                                                                                                                                                                                                                                                                                                                                                                             |

| Bug ID     | Description                                                                                                                                                                                                                                                                                                                                                                                                                                                                                                                                                                                                                                                                                                                                                                                                                                                                                                                                                       |
|------------|-------------------------------------------------------------------------------------------------------------------------------------------------------------------------------------------------------------------------------------------------------------------------------------------------------------------------------------------------------------------------------------------------------------------------------------------------------------------------------------------------------------------------------------------------------------------------------------------------------------------------------------------------------------------------------------------------------------------------------------------------------------------------------------------------------------------------------------------------------------------------------------------------------------------------------------------------------------------|
| CSCdm92558 | <p>Symptom:</p> <p>The dspcd &lt;slot_no&gt; command display shows unexpected output</p>                                                                                                                                                                                                                                                                                                                                                                                                                                                                                                                                                                                                                                                                                                                                                                                                                                                                          |
| CSCdp03564 | <p>Symptom:</p> <p>Getting large amounts of aborted frames on FRSM-HS2 card</p>                                                                                                                                                                                                                                                                                                                                                                                                                                                                                                                                                                                                                                                                                                                                                                                                                                                                                   |
| CSCdp05125 | <p>Symptom:</p> <p>Connections which terminate on FRSM-2CT3 ports which span multiple DS0s experience intermittent data problems. Counters and statistics on the FRSM and PXM do not indicate any problems. The CPE equipment will show FRAME abort conditions.</p> <p>Conditions:</p> <p>The condition will manifest itself after a number of low speed ports have been configured on the card. Data will run fine on the first few low speed ports configured, but after a point, the creation of one more low speed port will cause data on all ports to exhibit the problem symptoms.</p> <p>Workaround:</p> <p>No known workaround.</p> <p>Further Problem Description:</p> <p>The problem can be identified as follows --</p> <p>Send data from the CPE (in this case a 3620 router). Notice that 3 of the 5 pings went through. We also see 2 abort frames (input errors on the interface). These directly correspond to the 2 missing icmp datagrams.</p> |
| CSCdm75434 | <p>Symptom:</p> <p>FRSM-2T3 is in failed state after xcnfchan -chn ? -cntp 2 for slave</p>                                                                                                                                                                                                                                                                                                                                                                                                                                                                                                                                                                                                                                                                                                                                                                                                                                                                        |
| CSCdm80762 | <p>Symptom:</p> <p>N393 counter can be set to less than or equal to N392 counter</p>                                                                                                                                                                                                                                                                                                                                                                                                                                                                                                                                                                                                                                                                                                                                                                                                                                                                              |
| CSCdp05620 | <p>Symptom:</p> <p>DLCI and Delete bit fields of an async. status message don't carry correct values</p> <p>Scenario:</p> <ol style="list-style-type: none"> <li>1. Configure a port with PVC Asynchronous Status Report enable.</li> <li>2. Add a PVC.</li> <li>3. Delete the PVC.</li> </ol> <p>Problem:</p> <ol style="list-style-type: none"> <li>1. The ASYNCH STATUS message contains DLCI = 0 instead of the DLCI of the deleted PVC.</li> <li>2. The "Delete bit" in the PVC IE is not turned on.</li> </ol> <p>Workaround: none</p>                                                                                                                                                                                                                                                                                                                                                                                                                      |

| Bug ID     | Description                                                                                                                                                                                                                                                                                                                                                                                                                                                                                                                                                                                                                                                                                                                                                                                           |
|------------|-------------------------------------------------------------------------------------------------------------------------------------------------------------------------------------------------------------------------------------------------------------------------------------------------------------------------------------------------------------------------------------------------------------------------------------------------------------------------------------------------------------------------------------------------------------------------------------------------------------------------------------------------------------------------------------------------------------------------------------------------------------------------------------------------------|
| CSCdp09346 | Symptom:<br>CESM-8T1/E1 - New dsptotals command only shows max of 124 ports for both cards.                                                                                                                                                                                                                                                                                                                                                                                                                                                                                                                                                                                                                                                                                                           |
| CSCdm30544 | Symptom:<br>The major card integrated alarm due to inconsistent databases on the PXM and the SM does not get cleared.<br>Symptom :<br>Under rare situations, a configuration change on an SM will fail to make the necessary changes on the PXM. The SM will try to back-off the changes and this might fail also. This failure to undo the changes will result in the inconsistent databases card integrated alarm (which can be seen using the "dspcd" command).<br>Workaround :<br>There is no workaround to prevent this alarm condition from happening. However it is extremely rare that it will occur.<br>This alarm indication does not disappear at all. There is no CLI command to clear the alarm indication either. The only way to get rid of the alarm indication is to reset the card. |
| CSCdm49120 | Symptom:<br>CLI support required using Port.dlci as Connection Index                                                                                                                                                                                                                                                                                                                                                                                                                                                                                                                                                                                                                                                                                                                                  |
| CSCdm79642 | Symptom:<br>PXM-CESM connections declared failed even though data continuity is fine                                                                                                                                                                                                                                                                                                                                                                                                                                                                                                                                                                                                                                                                                                                  |
| CSCdm84330 | Symptom:<br>Random bit errors observed on DAX - T3 connections                                                                                                                                                                                                                                                                                                                                                                                                                                                                                                                                                                                                                                                                                                                                        |
| CSCdm90305 | Symptom:<br>Remote loops put up are not displayed by dspln command <VHS:CSCdm65796><br>Remote Loopback invoked on an FRSM-2CT3 via cnfbert was not displayed via the dspln or any other command.                                                                                                                                                                                                                                                                                                                                                                                                                                                                                                                                                                                                      |
| CSCdm93572 | Symptom:<br>Cannot set AUSM IMA PortQueues on Popeye AUSM card, however this works on the AXIS shelf.                                                                                                                                                                                                                                                                                                                                                                                                                                                                                                                                                                                                                                                                                                 |
| CSCdp06586 | Symptom:<br>Unable to reverse LMI i.e. N393<N392 on FRSM-2CT3 ports                                                                                                                                                                                                                                                                                                                                                                                                                                                                                                                                                                                                                                                                                                                                   |

| Bug ID     | Description                                                                                                                                                                                                                                                                                                 |
|------------|-------------------------------------------------------------------------------------------------------------------------------------------------------------------------------------------------------------------------------------------------------------------------------------------------------------|
| CSCdp06562 | <p>Symptom:<br/>Provisioning of large numbers of PVCs using SNMP causes card to fail</p> <p>Conditions:<br/>FRSM card resets when attempting to provision up to 4000 connections. The lines and ports are deleted.</p> <p>Workaround:<br/>There is currently no work around for this.</p>                   |
| CSCdm34026 | <p>Symptom:<br/>Following switchcc duplicate IP address reported</p>                                                                                                                                                                                                                                        |
| CSCdm56223 | <p>Symptom:<br/>SRM responds to FEAC for T3 resulting in local loop.</p> <p>Conditions:<br/>Happens when FEAC codes are sent to T3 of SRM.</p> <p>Workaround:<br/>Investigating.</p>                                                                                                                        |
| CSCdm56229 | <p>Symptom:<br/>SRM responds to FEAC to loop the T1s.</p> <p>Conditions:<br/>Happens when FEAC codes to loop the T1s are sent to the SRM card.</p> <p>Workaround:<br/>Investigating.</p>                                                                                                                    |
| CSCdm64880 | <p>Symptom:<br/>Switchcc caused telnet loss for two minutes and sequence mismatch messages</p>                                                                                                                                                                                                              |
| CSCdm67158 | <p>Symptom:<br/>Control X issued at the console login prompt caused reset</p>                                                                                                                                                                                                                               |
| CSCdm72320 | <p>Symptom:<br/>Communication between PXM and service module drops in case of a switchover.</p> <p>Conditions caused by loss of messages between SM and PXM (e.g. updates about SM failover while PXM switchover is occurring) during PXM switchover are not corrected after new PXM has become active.</p> |
| CSCdm94687 | <p>Symptom:<br/>LOS on an APS line not in compliance with standards</p>                                                                                                                                                                                                                                     |

| <b>Bug ID</b> | <b>Description</b>                                                                                           |
|---------------|--------------------------------------------------------------------------------------------------------------|
| CSCdm81375    | Symptom:<br>Phantom channels on cards that don't have lines or ports enabled                                 |
| CScdm87663    | Symptom:<br>Performing switchcc on a system configured for APS results in error message                      |
| CSCdp08385    | Symptom:<br>Possible memory leak after weekend of add/del slave end connections to PXM-UNI                   |
| CSCdp11201    | Symptom:<br>FRSM-8T1E1 ports disappear after reset of card                                                   |
| CSCdp11885    | Symptom:<br>FRSM-2E3: after deletion of the only channel on the card, the card still indicates channel alarm |

## Problems Fixed in Release 1.1.11

| <b>Bug ID</b> | <b>Description</b>                                                                   |
|---------------|--------------------------------------------------------------------------------------|
| CSCdm45045    | Symptom:<br>APS: no differentiation between Model A and B backcards                  |
| CSCdm56779    | Symptom:<br>Removing the back card from the active PXM causes the APS line to fail   |
| CSCdk63920    | Symptom:<br>VPI value supported on PXM broadband interface BBIF is 255               |
| CSCdm32833    | Symptom:<br>APS: switchapsln service options are not working                         |
| CSCdm36155    | Symptom:<br>IP+ATM - Saved PVC configurations will not come up after pulling the RPM |
| CSCdm42355    | Symptom:<br>Feature enhancement: real time VBR support on PXM UNI                    |
| CSCdm47536    | Symptom:<br>FRSM front card should remain Active when line card is removed           |

| Bug ID                    | Description                                                                                                     |
|---------------------------|-----------------------------------------------------------------------------------------------------------------|
| CSCdm62176                | Symptom:<br>Executing cc to redundant-active SMs CESM, FRSM, AUSM always fails after switchcc                   |
| CSCdm65505                | Symptom:<br>APS and PMM pipe call forward functions leak pipe buf descriptor memory                             |
| CSCdm46613                | dsptotals functionality not implemented on PXM                                                                  |
| CSCdm57515                | Removal of FRSM-2CT3 backcard did not cause redundancy switchover                                               |
| CSCdm60455                | Unable to configure SRM alarm intervals                                                                         |
| CSCdm67669                | Not able to configure Cellbus for double clock speed                                                            |
| CSCdm55225                | Saveallcnf does not work while provisioning                                                                     |
| CSCdm69780                | Support of PXM core dump subsystem feature.                                                                     |
| CSCdm35781                | IP+ATM A PXM that is up does not detect PVCs going down at the far end                                          |
| CSCdm40790                | Expected dspreed to show BLOCKED when redundant back card is unplugged.                                         |
| CSCdm58432                | Line cnf cleared on mmf-smf transition, mismatch not shown for mmf-smf combine                                  |
| CSCdm60455                | Unable to configure SRM alarm intervals                                                                         |
| CSCdm61275                | No APS switch on SDBER threshold exceeded                                                                       |
| CSCdm63233                | Saveallcnf does not include RPM configs                                                                         |
| CSCdm71506                | ssiMemPartShow output is broken caller, time and user data is garbage                                           |
| CSCdm59316,<br>CSCdm51290 | Design rule for core card redundancy needs to be changed - Standby SRM does not take over when active SRM fails |
| CSCdm35781                | IP+ATM A PXM that is up does not detect PVCs going down at the far end                                          |
| CSCdm40790                | Expected dspreed to show BLOCKED when redundant back card is unplugged                                          |
| CSCdm61199                | cnftrapip reqd to specify source add. for traps-cnfigip address not sufficient                                  |
| CSCdm74699                | dspfwrevs hangs if ComMat.dat file is in C:/FW directory                                                        |
| CSCdm75102                | If background memory check finds an error, the chunk pool may become unusable                                   |
| CSCdm72701                | Modified the red state machine to handle, SM_NOT_RESPONDING state from PMM in addition to SM_FAILED             |

| Bug ID     | Description                                                                                |
|------------|--------------------------------------------------------------------------------------------|
| CSCdm81167 | Memory corruption in cliPlugin call                                                        |
| CSCdm81213 | pool header status field has an invalid value                                              |
| CSCdm80527 | Cannot set dsx3PlcpPayloadScramble from SNMP                                               |
| CSCdm00200 | PCI errors cause VISM to reboot without displaying/logging error source                    |
| CSCdm23426 | FRSM VHS 2CT3 delete rsc part config change50600 trap has incorrect status                 |
| CSCdm36668 | Symptom:<br>On switchcc, CESM-8T1 & FRSM-VHS in slot 1 & 17 fails, incr unknown ScmTypeCnt |
| CSCdm44993 | FRSM-V.35: Frame traffic loss on local DAX connection with internal loopback               |
| CSCdm46266 | FRSM-V.35: Unnecessary traps upon port addition and deletion                               |
| CSCdm47536 | FRSM front card should remain Active when line card is removed                             |
| CSCdm49847 | dsplns returns undefined symbol: dsplns on FRSM-VHS2E3                                     |
| CSCdm50397 | FRSM-V.35: UNI Timeout counts increment with NNI signalling configured                     |
| CSCdm51406 | dspchanct on remote end does not show receiving AIS                                        |
| CSCdm51635 | FRSM-8T1 does not show backcard serial number in dspcd                                     |
| CSCdm54744 | FRSM-V.35: Tagging should not occur with DE tagging disabled                               |
| CSCdm56090 | FRSM-V.35: Port alarm should occur with Rcv clk rate out-of-bounds line alarm              |
| CSCdm56264 | CESM continuously rebooting                                                                |
| CSCdm57914 | dspimainfo command to follow AXIS 5 implementation                                         |
| CSCdm63207 | MGX fails to send yellow upon receipt of AIS                                               |
| CSCdm63250 | FRSM-2CT3 does not generate yellow alarm                                                   |
| CSCdm63851 | FRSM-V.35: FRSM Cards should not be identified as AXIS cards                               |
| CSCdm65343 | FRSM V.35: Commands should include help text for V.35 interface not only X.21              |
| CSCdm65939 | SRM DS3 momentary error causes permanent DS1 LOF                                           |
| CSCdm65940 | SRM DS3 momentary error causes permanent DS1 LOF                                           |
| CSCdm68952 | runslftstno 5 run on AUSM shows Disk Data Corruption even though test passes               |

| Bug ID     | Description                                                                                                                                                                                                    |
|------------|----------------------------------------------------------------------------------------------------------------------------------------------------------------------------------------------------------------|
| CSCdm69071 | Automatic relearning of IMA ID required                                                                                                                                                                        |
| CSCdm69713 | FRSM-V.35: FRSM Cards should not be identified as AXIS cards                                                                                                                                                   |
| CSCdm69714 | FRSM-V.35: FRSM Cards should not be identified as AXIS cards                                                                                                                                                   |
| CSCdm70125 | Removal of FRSM-2CT3 backcard did not cause redundancy switchover                                                                                                                                              |
| CSCdm56202 | dsploads on AUSM                                                                                                                                                                                               |
| CSCdm83075 | Redundant SM cards unavailable on pxm switchover caused by SRM failure                                                                                                                                         |
| CSCdm83995 | pxm - LMI port disabled on upgrade and resetsys, trunk unusable                                                                                                                                                |
| CSCdm75342 | After resetcd, all configuration for HS2 card is lost                                                                                                                                                          |
| CSCdm80086 | FRSM-CT3 went into failed state during con provisioning                                                                                                                                                        |
| CSCdm29907 | The cardMajorAlarmBitmap MIB variable is not found in the AXIPOP.my file. Currently, this information is available only on CLI. Some backward issues need to be resolved before this is available through SNMP |
| CSCdm38440 | Wrong GMT offset when daylight savings time change                                                                                                                                                             |
| CSCdm47203 | FRSM-2CT3 dsplns returns undefined symbol                                                                                                                                                                      |
| CSCdm51406 | dsphanct on remote end does not show receiving AIS                                                                                                                                                             |
| CSCdm54605 | delifip 37 results in system reset                                                                                                                                                                             |

## Problems Fixed in Release 1.1.1

| Bug ID     | Description                                                                                                                                                                                                                                                                                                            |
|------------|------------------------------------------------------------------------------------------------------------------------------------------------------------------------------------------------------------------------------------------------------------------------------------------------------------------------|
| CSCdk36727 | Trap managers are not aged. If a trap manager is added, it has to be explicitly deleted.                                                                                                                                                                                                                               |
| CSCdk56888 | Unexpected RAI alarms while configure DSX1 line in SF mode                                                                                                                                                                                                                                                             |
| CSCdm09225 | The customer would like to have the ability to measure the processor consumption by process on the MGX 8850, the same way they can on the BPX.                                                                                                                                                                         |
| CSCdm21269 | When the ATM uplink is under congested condition ATM cloud, it is observed that the receiving FRSM is not receiving frames with FECN bit set and the sending FRSM is not receiving frames with BECN bit set as expected, if the FR-ATM interworking mode is set to service interworking transparent mode on the FRSMs. |

- CSCdm33419 The Connection GUI misreports connection modification in the following scenario: 1. Add a 3-segment connection with PXM UNI endpoints. 2. Modify the SCR on the PXM UNI side to a big number, big enough to exceed the available bandwidth on the feeder trunk side. Also turn on CAC override. 3. Execute the modification. CWM will display a successful result, even though the modification is actually rejected because oversubscription is not allowed on the feeder trunk side.
- CSCdm36595 Sometimes the channels start sending AIS cells on to the port. As a result some channels on service modules are consistently in alarm state. Also as a result feeder connections disappear on the MGX 8850 after executing the resetsys command.
- CSCdm29249 Some AUSM cards get stuck in cardInit state after executing the resetsys command.
- CSCdm42493 CardIntegratedAlarm is not displayed when CLI command “dspcd” is executed on MGX 8850 service modules.
- CSCdm50194 FRSM-2CT3 gives temporarily out of buffers message after addds3loop
- CSCdm57808 Pulling out an active PXM causes multiple problems
- CSCdm55429 APS line switch not indicated in switchlog & incorrect in CWM trap
- CSCdm29177 FRSM-2CT3 can go into mismatch due to configuration mismatch between PXM cards
- CSCdm33972 Error log shows: A process that is not the owner is attempting to free resources
- CSCdm46905 Boot code from an invalid card type could be loaded to a different SM
- CSdm47917 PXM log flooded with resync messages
- CSCdm07070 MemShow, dspclksrc and dsptrkload bad responses
- CSCdm23786 Unable to configure RS232 port speeds
- CSCdk84622 Dsplmi & dpsarcnt available on AXIS or on PXM
- CSCdm29177 FRSM-2CT3 cards go into mismatch due to config mismatch
- CSCdm32736 Par-VSI task gets suspended unable to add/delete connections
- CSCdm33972 Error log for slot 7 shows a process that is not the owner
- CSCdm34001 Error log for slot 8 shows Db plfm:PmmRamDb update when card is not active
- CSCdm34011 Error log for slot 8 shows no updated to Db plfm:sm14-v20 found to commit
- CSCdm37450 Dspcons display breaks a connection into two lines
- CSCdm39478 Restoreallcnf fails, with PXMs locking up and connections not restored
- CSCdm39767 PSW firmware needs to reset PXM when a task fails to spawn successfully

- CSCdm42463 On switchcc can lose RPM files that exist on the active PXM
- CSCdm42849 When lmitrace on, keep doing dlmi hangs the system
- CSCdm33996 Error log for slot 8 shows an invalid ssi-mqid of 0xffffffff
- CSCdm38372 Addcon for a dax connection with ABR gives SNMP set error 6
- CScdm33570 FRSM-2CT3 does not pause its display totals
- CSCdm47909 PXM logs error for manually invoked switchcc
- CSCdm53583 RPM config file not mirrored from active to standby PXM card
- CSCdm50771 Copy of file to RPM can result in overwriting RPM directory entry
- CSCdm23426 Config change trap carries the port resource partition row status as ADD while deleting the resource partition.

## Problems Fixed in Release 1.1.01

One of the slots on the node had a CESM-8E1 card with some connections. The connections, ports and lines on the CESM were deleted and it was replaced with an AUSM-8T1 card. The AUSM card went to mismatch state. On trying to execute the clrmscnf command the following error message was seen: flyers4.1.7.PXM.a > clrmscnf 20, Do you want to proceed (Yes/No)? Yes Command Failed: Resources exist on card (CSCdm29289).

Happens on an MGX 8850 switch with two PXMs (Core Redundancy). If the Active PXM while synchronizing the databases to Standby, resets, then the Standby PXM goes to Fail State. The reset PXM comes up as Active and will show the other PXM slot as Empty (CSCdm30193)

ShelfIntegrated alarm becoming Major or Minor either after switchcc or resetsys. (CSCdm33756)

One connection, CESM-PXM UNI ended up deleted in CESM, but SPM still has some incomplete data structure. Since there is only one connection per port for the CESM, and the connection is in such state that can not be removed or re-added, the port and its bandwidth become unusable (CSCdm33289)

Configuring the DS3 framing format on an FRSM-2CT3 to M13 does not permit the card to operate correctly with other devices using that framing format. (CSCdm35575)

When modifying a particular protected memory address on CESM8p which causes CESM HW watchdog reset, PXM got reset or lost SAR functionality. (CSCdm15367)

Adding or modifying a connection to an RPM fails if the RPM enable password differs from the password that Conn MGR has cached. Example: A connection to an RPM is configured, then the enable password is changed on the RPM -- any subsequent connection adds or changes fail because of a bad enable password. (CSCdm34114)

When modifying the bandwidth allocation (usually from a smaller percentage to a much bigger one) of a port with "cnfport" command, it is not always possible to create more connections under that port. (CSCdm32894)

The standby PXM console is not enabled for use. Downlevel PXM board (CSCdm34030)

Adding connections through a conn proxy script. Card went to failed state after adding around 700 connections. (CSCdm32773)

SMs are shown in failed state though physically they are active. This was observed for FRSM8p and FRSM-VHS in slot 5 and 6 and 1. (CSCdm21684)

While using a script to do stress switchcc test, there is a one time occurrence where it was found that the original active card did not come back as standby, but went to fail state. (CSCdm35298)

The problem is related to the PVC's traffic parameters. We are still investigating what the PCR, average, and burst values should be set to for VBR connection. This values are related to nature of the traffic which is sent to the RPM. (CSCdm35352)

When the connection is deleted, the trap does not go to SV+. (CSCdm27489)

Major differences when add vbr.2 connections on PXM by CLI and CWM (CSCdm28075)

If "cnfcon" command is given with the CIR value of less than 8 and greater than zero then the command is never completed and later on one cannot do any modifications, display, etc. (CSCdm34047)

Restoreallcnf does not restore the saved config. Occurs when restoring a configuration taken from another physical shelf. The card the restoreallcnf was done on will not become active but the other card will which contains the previous configuration. (CSCdm37114)

AUSM Connection addition fails for VP connection from CWM. (CSCdm36674)

At low frequencies, the jitter characteristics does not fully comply with the standards. (CSCdm38833)

## Problems Fixed in Release 1.1.00

Stand-alone Statistics collection does not work if the PXM is in slot 8 (CSCdm20017).

There is no need to issue the **syncdisk** and **shutdisk** commands before removing the PXM. The **system** quiesces the disk by detecting the removal of the PXM board and flushes the write buffers to the disk and **puts the PXM in sleep mode**. This disables any further hard disk access since it locks the actuator. **When the card is reinserted the PXM automatically comes out of sleep mode.**

In Release 1.0.00 Configuration Save and Restore works only for the same firmware image even if there are no database changes from one version to the other version. In Release 1.1.00 Configuration Save and Restore can be done on different firmware images if the firmware images have compatible databases.

VPI range was limited to 0 to 255 on PXM UNI and NNI on the feeder ports in Release 1.0.00. There is no VPI range limit in Release 1.1.00. (CSCdk63920)

A flood of SNMP requests can cause SNMP and CLI to be unavailable for some time (CSCdm13663).

After a user adds PXM UNI channel, VCC with VCI=0, user cannot add any more VCCs with same (CSCdm14123)

Was unable to delete a VP connection for PXM UNI channels using CWM (CSCdm15120)

While executing "cc" command to a Service Module (SM) on a telnet session, the telnet session hangs, and the console of the active PXM card has Tib load exception message. (CSCdm15150)

Telnet session gets cut off without any error messages or obvious network problem (CSCdm15166)

When adding connections using scripts utilizing Conn-Proxy, without delay between two connection additions, and when there are line alarms at either endpoint, there is a probability that the CESM card may reboot. (CSCdk12363)

FRSM-2CT3 is dropping frames due to frame aborts detected by HDLC controller. (CSCdm13123)

Traffic on connection on FRSM-8T1E1 stopped after removal and insertion (CSCdm18521)

Cannot have more than one session on FRSM-VHS (CSCdk77924)

A channel is shown in alarm even though there is no line alarm and port alarm locally on the FRSM8p service module, and there is no remote alarm on the far end of the connection. (CSCdm14383)

Port statuses at service module site might be different with those at PXM and VSI controller site. (CSCdm15183)

A port was seen that had no alarm on FRSM8p, but “dspparifs” on PXM CLI shows the interface of this port in fail state. (CSCdm15620)

Attempt to configure the external clock source using the label 0.33 does not work. (CSCdm15669)

Some FRSM-8T1E1s don’t come up when the MGX8850 is power cycled. (CSCdm16401)

Using script to add ports on FRSM8P Service Module card, in case a port addition fails, FRSM8 is not backing off properly and leave the port still added locally on the card even though the port is not added on PXM side and PAR (the interface corresponding to this port will not show up in “dspparifs” CLI on PXM, but “dsports” on SM shows the port added). (CSCdm03268)

Connections in alarm while lines are OK. (CSCdm10735)

Service module & the PXM reserve different bandwidth for the same connection. (CSCdk92115)

The card, after power recycle does not come up. It gets stuck in standby. (CSCdm10416)

When removing a service module or removing a line, VSI controller prints out “swerr 20208” sometimes. (CSCdm16902)

When an MGX 8850 shelf with CESM-8T1E1s is left running for over a day with Configuration Uploads going continuously, there is a possibility of allocated large buffers not getting released. (CSCdm17868)

The interface state (port state) is inconsistent between the VSI controller and the platform as well as that at service module. (CSCdm16033)

A tftp download of backboot displays an S-objlib\_OBJ\_UNAVAILABLE error (CSCdm16295)

While RPM is reloading after a card reset or as a result of card removal, PXM gets reset intermittently. (CSCdm15040)

CLI commands on a PXM hang after aborting a command using Ctrl-C. (CSCdm16726)

PXM reset when OC12 trunk back card was inserted. (CSCdm20010)

Broad band connection statistics fail when the PXM is in slot 8 and statistics are enabled (CSCdm20017)

## Problems Fixed for RPM in 12.0.5T1

These anomalies are fixed in IOS 12.0.5T1. For generic IOS issues, refer to the 12.0.5T1 release notes.

- CPUHOG and Traceback error during connection synch-up. (CSCdm56618)
- RPM performance degrades when two RPMs are side-by-side (CSCdk93628)
- c75 int tunnel <num> shortcut fails create when num is slot number (CSCdm26198)
- Executing show diag 3 resets RPM (CSCdm64903)
- Copy RPM config to c: drive overlay problem (CSCdm63212)
- Connection only on RPM and not on PXM shown as mismatch (CSCdm47650)
- RPM interface name changes are inconsistent (CSCdm49834)
- Dynamic VCD stored on the PXM disk cause connection mismatch (CSCdm72383)

- Spurious memory access while inserting FE card (CSCdm51327)

## Problems Fixed for RPM in 12.0.4T

These anomalies are fixed in IOS 12.0.4T. For generic IOS issues, refer to the 12.0.4T release notes.

- RPM in adjacent slots share single OC3 cell-bus bandwidth, which cause a 30% drop in throughput at line speed. It is recommended not to use RPM in adjacent slots at high input rate configurations (CSCdk93626).
- Only VCI zero is supported for VPI greater than zero, therefore VP connections are limited to one VC.
- Under certain unknown condition RPM may not get the MAC addresses from the PXM. The occurrence of this conditions is quite low. It is recommended to set up the MAC address manually when such condition is detected. (CSCdk53731).
- IPC buffers exhaust after executing CC command around 70 times. This requires a reload of RPM to re-establish IPC connectivity to PXM. This condition does not cause any interruption of traffic (CSCdk89950).
- Running an extended ping from an IPC console connection may overload the IPC channel (CSCdk76558)
- Virtual template is not supported through SNMP MIB.
- The “tstcon” command to RPM is not supported in this version (CSCdm00845)
- SNMP over IPC channel is not supported in this version, therefore CV application is not supported (CSCdk47301).
- Reported CRC error counts may not be correct in this version (CSCdk70267)
- Tstcon option on CMGUI for PXM-FR connection is not displayed (CSCdk71714)

# Compatibility Notes

| Bug ID     | Description                                                                                                                                                                                                                                                                                                      |
|------------|------------------------------------------------------------------------------------------------------------------------------------------------------------------------------------------------------------------------------------------------------------------------------------------------------------------|
| CSCdm33351 | <p>Symptom/Condition:</p> <p>When an endpoint is added to a line that is already in an alarm condition, an Endpoint Added Trap message and an Endpoint is Active message are sent to the manager from VISM. However, the Endpoint Failed Indication Trap message is not sent.</p> <p>Workaround:</p> <p>None</p> |
| CSCdm33605 | <p>Symptom/Condition</p> <p>When a switchover to a redundant VISM card takes place due to a reset/failure of the active VISM card, the display on CWM is not correct.</p> <p>Workaround:</p> <p>None</p>                                                                                                         |
| CSCdm33638 | <p>Symptom/Condition</p> <p>When a switchover to a redundant VISM card takes place due to a reset/failure of the active VISM card, the switchover takes place but the display of active lines is not consistent between the shelf and CiscoView.</p> <p>Workaround</p> <p>None</p>                               |

## 1. MGX 8850 Software Interoperability with other Products

|                              |                                                                                                                                       |
|------------------------------|---------------------------------------------------------------------------------------------------------------------------------------|
| MGX 8850 Platform Software:  | PXM 1.1.23                                                                                                                            |
| MGX 8220 Firmware:           | Rev: 4.1.xx or 5.0.11 or 5.0.12(Refer to the MGX 8220 Release Notes)                                                                  |
| Compatible Switch Software:  | Switch software 9.1 release and switch software 9.2 release for BPX and BXM firmware—MEB (Refer to the Switch Software Release Notes) |
| Network Management Software: | CWM 9.2.08 (Refer to the CWM 9.2.08 Release Notes)                                                                                    |
| CiscoView:                   | CV 4.2 WAN CV 2.08 (Refer to the CWM 9.2.08 Release Notes and to the Note below the table.)                                           |

## 2. Software Boot and Runtime Firmware Requirements:

| Board Pair     | Latest Boot Code Version    | Minimum Boot Code Version | Firmware                 | Latest Firmware Version | Minimum Firmware Version |
|----------------|-----------------------------|---------------------------|--------------------------|-------------------------|--------------------------|
| PXM1           | pxm_bkup_1.1.23.fw          | 1.1.23                    | pxm_1.1.23w              | 1.1.23                  | 1.1.23                   |
| PXM1-2-T3E3    | pxm_bkup_1.1.23.fw          | 1.1.23                    | pxm_1.1.23.fw            | 1.1.23                  | 1.1.23                   |
| PXM1-4-155     | pxm_bkup_1.1.23.fw          | 1.1.23                    | pxm_1.1.23.fw            | 1.1.23                  | 1.1.23                   |
| PXM1-1-622     | pxm_bkup_1.1.23.fw          | 1.1.23                    | pxm_1.1.23.fw            | 1.1.23                  | 1.1.23                   |
| AX-CESM-8E1    | cesm_8t1e1_CE8_BT_1.0.02.fw | 10.0.02                   | cesm_8t1e1_10.0.11.fw    | 10.0.11                 | 10.0.10                  |
| AX-CESM-8T1    | cesm_8t1e1_CE8_BT_1.0.02.fw | 10.0.02                   | cesm_8t1e1_10.0.11.fw    | 10.0.11                 | 10.0.10                  |
| MGX-AUSM-8E1/B | cesm_t3e3_CE8_BT_1.0.02.fw  | 10.0.02                   | ausm_8t1e1_10.0.11.fw    | 10.0.11                 | 10.0.10                  |
| MGX-AUSM-8T1/B | cesm_t3e3_CE8_BT_1.0.02.fw  | 10.0.02                   | ausm_8t1e1_10.0.11.fw    | 10.0.11                 | 10.0.10                  |
| AX-FRSM-8E1    | frsm_8t1e1_FR8_BT_1.0.02.fw | 10.0.02                   | frsm_8t1e1_10.0.11.fw    | 10.0.11                 | 10.0.10                  |
| AX-FRSM-8E1-C  | frsm_8t1e1_FR8_BT_1.0.02.fw | 10.0.02                   | frsm_8t1e1_10.0.11.fw    | 10.0.11                 | 10.0.10                  |
| AX-FRSM-8T1    | frsm_8t1e1_FR8_BT_1.0.02.fw | 10.0.02                   | frsm_8t1e1_10.0.11.fw    | 10.0.11                 | 10.0.10                  |
| AX-FRSM-8T1-C  | frsm_8t1e1_FR8_BT_1.0.02.fw | 10.0.02                   | frsm_8t1e1_10.0.11.fw    | 10.0.11                 | 10.0.10                  |
| MGX-FRSM-HS2   | frsm_vhs_VHS_BT_1.0.02.fw   | 10.0.02                   | frsm_vhs_10.0.11.fw      | 10.0.11                 | 10.0.10                  |
| MGX-FRSM-2CT3  | frsm_vhs_VHS_BT_1.0.02.fw   | 10.0.02                   | frsm_vhs_10.0.11.fw      | 10.0.11                 | 10.0.10                  |
| MGX-FRSM-2T3E3 | frsm_vhs_VHS_BT_1.0.02.fw   | 10.0.02                   | frsm_vhs_10.0.11.fw      | 10.0.11                 | 10.0.10                  |
| MGX-FRSM-HS1/B | frsm_hs1_HS1_BT_1.0.02.fw   | 10.0.02                   | frsm_hs1_10.0.11.fw      | 10.0.11                 | 10.0.10                  |
| MGX-CESM-T3E3  | cesm_t3e3_CE8_BT_1.0.02.fw  | 10.0.02                   | cesm_t3e3_10.0.11.fw     | 10.0.11                 | 10.0.10                  |
| MGX-VISM-8T1   | vism_8t1e1_VI8_BT_1.0.02.fw | 1.0.02                    | vism_8t1e1_VI8_1.5.03.fw | 1.5.03                  | 1.5.01                   |
| MGX-VISM-8E1   | vism_8t1e1_VI8_BT_1.0.02.fw | 1.0.02                    | vism_8t1e1_VI8_1.5.03.fw | 1.5.03                  | 1.5.01                   |

**Note**

VISM is supported by VSC 7.4(6), BPX SW 9.2.22 and CWM 9.2.07. All others are supported by BPX SW 9.2.22 and CWM 9.2.08.

### 1. RPM Boot and IOS Image

| Board Pair     | Latest Boot Code Version | Minimum Boot Code Version | Firmware          | Latest Firmware Version | Minimum Firmware Version |
|----------------|--------------------------|---------------------------|-------------------|-------------------------|--------------------------|
| MGX-RPM-128M/B | rpm-boot.mz.121-1.T      | rpm-boot.mz.120-7.T       | rpm-js-mz.121-1.T | 12.1(1)T                | 12.0(7)T                 |

**Note**

1.1.22 platform image is co-required with the special120-5.XT image.

# Special Installation and Upgrade Requirements

Existing customers should use the upgrade procedure on page 85 to upgrade from 1.1.12/1.1.21/1.1.22. tp 1.1.23 For new customers the image will be pre-installed as 1.1.23 and they need to use the PXM installation procedure to upgrade to future maintenance releases.

No graceful downgrade is supported from 1.1.23 or any higher version to any down level version of software below 1.1.22 because of MIB changes. This also implies that if you have to abort after newrev command (and the commit command), you have to do an ungraceful downgrade.

Below is the procedure for ungraceful downgrade:

- 
- Step 1** If they have a saved configuration then do:
- ```

abort
reload old firmware code (boot code can stay at 1.1.22)
restoreallcnf

```
- Step 2** If they don't have a saved configuration then do:
- ```

abort
reload the old code
goto shellConn
setPXMPrimary on both boards
issue clralcnf on the active

```
- 

## Single PXM Installation Procedure

- 
- Step 1** Save you current configuration.
- ```

Saveallcnf

```
- Step 2** Download the 1.1.23 PXM runtime image to the PXM.
- ```

tftp <node_name or IP address>
bin
put 1.1.23.fw POPEYE@PXM.FW
quit

```
- Step 3** Download the ComMat.dat file to the C:/fw directory of the Active PXM. Use the tftp **put** command:
- ```

tftp <node_name or IP address>
bin
put ComMat.dat
quit

```
- Step 4** On the PXM type the following when the transfer is done:
- ```

copy ComMat.dat /FW/ComMat.dat

```
- Step 5** Execute the **install 1.1.23** command.

**Step 6** Answer **Yes** to the question the install command will ask.

## Installation Procedure For Redundant PXMs:

This section applies to upgrades from 1.1.10 to 1.1.11 or 1.1.12 or 1.1.21 or 1.1.22.



### Caution

Do not remove old firmware until the upgrade is done.

During graceful upgrade procedure, if after the newrev command, the non-active card enters the “MISMATCH” state, do the normal commit command. You will get a warning message:

```
other card not found,
do you still want to complete the commit operation
```

Answer yes and then reset the non-active card.

If you get the MISMATCH during the upgrade process, after you finish, you will also get the MISMATCH. To correct the mismatch, you must check your backcards, they must be identical.



### Note

First you must ensure that the shelf IP address and the PXM IP address are set. The PXM must have its own unique IP address and there must be a another unique IP address for the shelf.

To set the PXM address, use the bootChange command:

```
node-prompt> bootChange
'.' = clear field; '-' = go to previous field; ^D = quit
boot device      : lnPci
processor number  : 0
host name        :
file name        :
inet on ethernet (e) : 172.29.37.220:ffff00
inet on backplane (b):
host inet (h)    :
gateway inet (g) : 172.29.37.1
user (u)         :
ftp password (pw) (blank = use rsh):
flags (f)        : 0x0
target name (tn) :
startup script (s) :
other (o)        :
```

Set the “inet on ethernet (e) :” field with the first part of the entry (before the :) as the IP address, and the second part as the subnet mask.

Set the “gateway inet (g) :” with the gateway address.

This must be done on both PXMs. This can also be done in backup boot from the VxWorks prompt “->”.

To set the shelf IP address:

```
node-prompt> cnfifip 26 shelf.ip.address subnet.mask broadcast.address
```

The second argument is the shelf IP address.

The third argument is the subnet mask.

The fourth argument is the broadcast address.

**Step 1** Save your current configuration.

```
saveallcnf
```

**Step 2** Get the filename by listing the CNF directory:

```
node-prompt> ll "C:/CNF"
  size      date      time      name
-----
  512      APR-08-1999  08:16:18  .          <DIR>
  512      APR-08-1999  08:16:18  ..         <DIR>
  512      APR-09-1999  05:26:42  TMP        <DIR>
  45433    APR-09-1999  05:28:42  NODENAME_0409990528.zip
  45433    APR-09-1999  05:28:42  NODENAME.zip

In the file system :
  total space : 819200 K bytes
  free space  : 787787 K bytes
```

**Step 3** On the workstation, upload the saved configuration to the workstation:

```
unix-prompt> tftp shelf.ip.address
tftp> bin
tftp> get CNF/NODENAME_0409990528.zip
Received 45433 bytes in 0.4 seconds
```

**Step 4** Verify that one PXM is Active and the other Standby.**Step 5** On the workstation, download the PXM FW:

```
unix-prompt> tftp pxm.ip.address
tftp> bin
tftp> put pxm_1.1.23.fw POPEYE@PXM.FW
Sent 1982672 bytes in 18.3 seconds
```

Make sure that the transfer is successful, by looking at the message displayed on the PXM console after the transfer:

```
Program length = 1982672
Calculated checksum = 0xd9779bc6 stored checksum = 0xd9779bc6
Fw checksum passed
```

**Step 6** Download the ComMat.dat file to the c:/fw directory of the Active PXM. Use the tftp **put** command:

```
tftp <node_name or IP address>
bin
cd fw
put ComMat.dat
copy ComMat.dat to FW directory on the PXM.
quit
```

**Step 7** After the transfer is done, type the following on the PXM:

```
copy ComMat.dat /FW/ComMat.date
```

Ensure that the ComMat.dat is copied to both PXMs.

**Step 8** On the Active PXM, do "install 1.1.23".

The Standby card will reset at this point, and go to hold state.

**Step 9** After the Standby card is reset and successfully enters the hold state, on the Active PXM, do "newrev 1.1.23".

The Active card will be reset and go to hold state.

After the newrev the firmware should now show the new revision on dspcd.

- Step 10** After the Active PXM is reset and successfully enters the hold state, on the new Active PXM, do “commit 1.1.23”.
- 

## PXM Flash Download Procedure

---

- Step 1** Download the new bootcode:

```
unix-prompt> tftp shelf.ip.address
tftp> bin
tftp> put pxm_bkup_1.1.22fw POPEYE@PXM.BT
Sent 642232 bytes in 6.3 seconds
```

The byte count above is just an example. It will be different for different images. Make sure that the boot is successfully downloaded. You should see a message like the following on the console:

```
Program length = 642230
Calculated checksum = 0x2a5a41f2 stored checksum = 0x2a5a41f2
Fw checksum passed
```

- Step 2** Issue install bt "revision".
- 

## Service Module Firmware Download Procedure

---

- Step 1** Download the selected revision of service module firmware into the service module in the selected slot.

```
tftp <node_name or IP address>
bin
put <backup boot> POPEYE@SM_1_<slot#>.BOOT
quit
tftp <node_name or IP address>
put <FW file> POPEYE@SM_1_0.FW
quit
```

You cannot do two puts in the same tftp session.

- Step 2** Install bt SM slot version.  
**Step 3** Answer **Yes** to the question the **install** command will ask.
- 



**Note** Please consult your Support Representative before performing any software upgrade.

---

## Service Module Installation/Upgrade and Flashdownload Requirements.



### Caution

Service Module downgrade from 1.1.23 to any downlevel version is not supported.

If you are moving service modules from an existing MGX 8220 platform to the MGX 8850, the MGX 8220 service modules (AX-FRSM-8T1/E1, and AX-CESM-8T1/E1) need to have the boot flash upgraded to MGX 8220 Release 5.0.00 common boot code (1.0.01 version) before they can be plugged in the MGX 8850 chassis. All MGX-8220 service module versions that use Release 4.0.xx of boot code and earlier are not supported in the MGX 8850.

SPARE DEPOT - Customers receiving a replacement service module via the TAC (through the RMA process) will have the common boot code image that works for MGX 8220 Release 4.x, 5.x and MGX 8850 installed on legacy service modules. (Spare service modules received directly from manufacturing through the normal ordering process will have the correct boot code image already loaded.)

If loading of the correct common boot code image is required then it will have to be performed on an MGX 8220 chassis, and cannot be performed on an MGX 8850 chassis. Please refer to the procedure below, which is also outlined in the *Cisco MGX 8850 Installation and Configuration Guide* on the documentation CD.

Use ftp to port the Axis 5 common boot image for the service module to a workstation

Plug in the card into the MGX 8220 shelf

Download the proper MGX 8220 shelf Release 5.0 boot image using the following commands from the workstation:

```
tftp <ip address of the MGX 8220 shelf >
bin
put <boot filename> AXIS_SM_1_<slot#>.BOOT
```

Now you must insure that tftp downloaded the appropriate boot code by verifying the flash checksums.

Login to the shelf.

```
cc <slot #>'
chkflash'
```

Verify that the two checksums are the same.

If NOT, repeat the process until they are the same. If they are the same, then you can safely remove the card. At this point the service module can be used in the MGX 8850 shelf.

## Service Module Upgrades

The following steps need to be followed for service module upgrade. Service module firmware images cannot be downloaded as specific versions in MGX 8850 Release 1.1.22 because only one image can be present on the disk at one instance. Hence the user cannot revert back during the installation process.

**Step 1** Download the service module firmware to the shelf:

```
unix-prompt> tftp shelf.ip.address
tftp> bin
tftp>put frsm_8t1e1_10.0.01.fw POPEYE@SM_1_0.FW
Sent 1982672 bytes in 18.3 seconds
```

Make sure that the transfer is successful, by looking at the message displayed on the PXM console after the transfer:

```
Program length = 1982672
Calculated checksum = 0xd9779bc6 stored checksum = 0xd9779bc6
Fw checksum passed
```

Repeat for each service module type and for each slot independent firmware.

For a slot-specific image (in this example the service module is tied to slot 1),

```
tftp <ip address of the MGX 8850 shelf >
bin
put frsm_<version>.fw POPEYE@SM_1_1.fw
```

for a slot-dependent image,




---

**Note** If the checksums are not the same when you remove the service module then the service module will not boot when it is plugged in and the service module will have to be RMA'ed.

---

- - MGX 8850 MGX-FRSM-HS2, MGX-FRSM-2CT3, MGX-FRSM-2T3E3 need to have Release 10.0.01 firmware for the runtime image and Release 10.0.01 firmware for the backup boot image.
- -If you need to upgrade both flash and runtime image of MGX 8220 Release 4.0.xx service modules to Release 10.0.01 to operate within the MGX 8850 chassis please follow the procedure below, which is also outlined in the *Cisco MGX 8850 Installation and Configuration* publication on the documentation CD.

**Step 2** For non-graceful upgrades, just reset the card and the service module will come up with the new image.

**Step 3** For graceful upgrades, a secondary card should be backing up the service module that needs to be upgraded. Configure the redundancy and issue the command:

```
install sm <slot> <version>
```

where <slot> is the service module that is being upgraded

and <version> is the service module image on the disk.




---

**Note** The concept of version is redundant here, since there is only one service module image on the disk. However we do check that the version given by the user matches the image on the disk to make it consistent with PXM upgrade/downgrade.

---

```
newrev sm <slot> <version>
```

where <slot> is the service module that is being upgraded

and <version> is the service module image on the disk.

```
commit sm <slot> <version>
```

where <slot> is the service module that is being upgraded

and <version> is the service module image on the disk.

**Note**


---

There is no abort command for service module upgrade.

---

## Known Anomalies for Platform Software and Service Module Firmware

The following is the list of known anomalies in the MGX 8850, Release 1.1.22 delivery. Included with each is a brief discussion of the problem. A more in depth discussion is available in the release note enclosure of the problem record in Bug Navigator

| <b>Bug ID</b> | <b>Description</b>                                                                                                                                                                                                                                                                                                                                                                                                                                                                                                                                                                                                                                                                                                                                                                                                                                                                                                                                                                                                                                                                                                                                                                                                                           |
|---------------|----------------------------------------------------------------------------------------------------------------------------------------------------------------------------------------------------------------------------------------------------------------------------------------------------------------------------------------------------------------------------------------------------------------------------------------------------------------------------------------------------------------------------------------------------------------------------------------------------------------------------------------------------------------------------------------------------------------------------------------------------------------------------------------------------------------------------------------------------------------------------------------------------------------------------------------------------------------------------------------------------------------------------------------------------------------------------------------------------------------------------------------------------------------------------------------------------------------------------------------------|
|               | <p>Inserting standby PXM can cause the telnet to be lost on the active PXM</p> <p>Workaround:</p> <ol style="list-style-type: none"> <li>1) On active card issue bootchange command and change the Ethernet IP address to something different than the one displayed by dspifip for the ethernet interface. This can be any spare IP address on that network.</li> <li>2) Insert new standby card and wait for it to become standby.</li> <li>3) On active card change bootchange IP address back to original IP address of shelf. If this process is not followed than the newly inserted standby card could end up bringing up the ethernet interface with the same IP address as the active and broadcast its mac address so that all ethernet connectivity is lost on the active card. To correct this situation if it occurs, do the following:               <ol style="list-style-type: none"> <li>1) Telnet and log into the console on the active card.</li> <li>2) Reset the standby card by using resetcd or reinsert the card.</li> <li>3) Go into shellConn</li> <li>4) Enter arpEnetUpdate at shellconn prompt.</li> </ol> </li> </ol> <p>Ethernet connectivity via telnet and tftp to the active card should be restored.</p> |
| CSCdr22375    | <p>Symptom/Condition:</p> <p>ddred between SMs fails reporting a feature mismatch but dspsmcnf shows identical feature bitmaps for the 2 SMs. Happens only when a graceful PXM upgrade is done to 1.1.23, and no SM upgrade/reset is done after the PXM upgrade and an addred is attempted.</p> <p>The IMA feature has been made standard instead of optional in 1.1.23 PXM firmware. Hence a SM which booted while the PXM ran pre-1.1.23 firmware, will maintain its old feature bitmap. But a SM which booted while the PXM ran 1.1.23 firmware (or greater), will show a new feature bitmap. Addred will thus fail between two such SMs.</p> <p>Workaround:</p> <p>After the PXM upgrade, reset all the SMs for which addred needs to be done, and then do addred</p>                                                                                                                                                                                                                                                                                                                                                                                                                                                                    |

| Bug ID     | Description                                                                                                                                                                                                                                                                                                                                                                                                                                                                                                                                                                           |
|------------|---------------------------------------------------------------------------------------------------------------------------------------------------------------------------------------------------------------------------------------------------------------------------------------------------------------------------------------------------------------------------------------------------------------------------------------------------------------------------------------------------------------------------------------------------------------------------------------|
| CSCdr22345 | <p>Symptom/Condition:</p> <p>Voice call gets dropped, line alarm is seen on SM after a PXM switchover</p> <p>Happens only when the SRM has link to the SM, the secondary SM is Active and there is an SRM/PXM switchover. Hot Standby SRM's link points to the Primary SM until the new SRM becomes Active</p> <p>Workaround:</p> <p>Switchback the SM so that the Primary SM is Active, before doing the PXM switchover</p>                                                                                                                                                          |
| CSCdr00016 | <p>Symptom/Condition:</p> <p>This problem was encountered sometimes when deleting more than 500 connections using a single "delchans" command.</p> <p>Workaround:</p> <p>It is recommended not group such a large number of connections in each "delchans" command. Restricting to 50 or 100 connections per delchans would help work around this problem.</p>                                                                                                                                                                                                                        |
| CSCdm92345 | <p>Symptom/Condition:</p> <p>The VHS SM have either DAX or FEEDER connections on the logical port which is simulated with some kind of signalling. Now if simulate line in logical (diagnostic) loopback the CWM shows connections Failed but after deleting the diagnostic loopback from line connections do not come back in OK state even though traffic runs well through the connections. CLI shows the correct status of the connections but CWM does not show the correct status of the connections once connections go to the Fail state.</p> <p>workaround:</p> <p>None.</p> |
| CSCdp53347 | <p>Symptom/Condition</p> <p>If 2 different HS1 SM have too many master and slave connections, deleting some 15 slaves first</p> <p>None.</p>                                                                                                                                                                                                                                                                                                                                                                                                                                          |
| CSCdp57673 | RPM removal trap will show incorrect functionModuleState (ACTIVE).                                                                                                                                                                                                                                                                                                                                                                                                                                                                                                                    |
| CSCdp46345 | When the active PXM card is pulled, there is APS protection and standby back card takes over. However, this is available only for sonet interfaces. Hence intelligence needs to be put in, so that for T3 / E3 back cards or if there is no APS protection, we cause a switchover on back card removal.                                                                                                                                                                                                                                                                               |

| Bug ID     | Description                                                                                                                                                                                                                                                                                                                                                                                                                                                                                                                                                                                                                                                                                                          |
|------------|----------------------------------------------------------------------------------------------------------------------------------------------------------------------------------------------------------------------------------------------------------------------------------------------------------------------------------------------------------------------------------------------------------------------------------------------------------------------------------------------------------------------------------------------------------------------------------------------------------------------------------------------------------------------------------------------------------------------|
| CSCdp34543 | <p>Install bt fails when it tries to program the flash on the standby card. This problem is with the database manager and the file transfer code. If an active PXM gets reset while the database manager is copying files to the standby, the new active card database manager will be left in a state where it cannot mirror files to the standby.</p> <p>Workaround</p> <p>Before trying the install command, use the shellconn "dbmFileShow" command on the active. If it shows any file in the state of being copied, you will have the problem. Do a switchcc to clear the problem.</p>                                                                                                                         |
| CSCdr01410 | <p>PXM resets if holding down the return key while cc'ed to a service module.</p> <p>Workaround: Don't hold the return key.</p>                                                                                                                                                                                                                                                                                                                                                                                                                                                                                                                                                                                      |
| CSCdr01426 | <p>Error logs overwritten and no core dump taken</p>                                                                                                                                                                                                                                                                                                                                                                                                                                                                                                                                                                                                                                                                 |
| CSCdp93004 | <p>When a connection fails, the a-bit status displayed on the connection manager for the particular connection always stays as "ok". The PXM does not send the a-bit information to the connection manager. So the a-bit information does not reach the connection manager and the channel status is not reflected in the CWM. It is displayed as "ok" even if the channel is in failed state.</p>                                                                                                                                                                                                                                                                                                                   |
| CSCdp66005 | <p>Symptoms:</p> <p>PXM UNI connections added on a port which is in alarm remain in alarm even after the port alarm is cleared.</p> <p>Conditions:</p> <p>This problem is reproducible. If connections already existing on a clear port are put in alarm by causing a port alarm, the alarms get cleared on clearing the port alarm. Only connections added on a port in alarm remain in alarm state even after clearing the port alarm. This problem was first seen in image 1.1.21Lc.</p> <p>Workaround:</p> <p>Before adding UNI connections originating from any SM, make sure that the ports at the two endpoints are clear of any alarms. Alarms on a connection can also be cleared by doing an SM reset.</p> |
| CSCdm91930 | <p>The LED status in CWM are different for lines in same status in Active card and hotstandby.</p>                                                                                                                                                                                                                                                                                                                                                                                                                                                                                                                                                                                                                   |
| CSCdr15892 | <p>addInloop on the PXM causes sonet line alarms, which sometimes do not clear when the loop is removed.</p>                                                                                                                                                                                                                                                                                                                                                                                                                                                                                                                                                                                                         |
| CSCdr06052 | <p>dspcd in PXM would show the FAB number as 800-XXX which is actually the PCB Number.</p> <p>Work Around:</p> <p>The dspnovram command would help in reading the FAB Number.</p>                                                                                                                                                                                                                                                                                                                                                                                                                                                                                                                                    |

| Bug ID     | Description                                                                                                                                                                                                                                                                                                                                                                                                                                                                                                                                                       |
|------------|-------------------------------------------------------------------------------------------------------------------------------------------------------------------------------------------------------------------------------------------------------------------------------------------------------------------------------------------------------------------------------------------------------------------------------------------------------------------------------------------------------------------------------------------------------------------|
| CSCdp51707 | <p>After removing a Service Module, and inserting an RPM in the same slot would cause the RPM to go to Active State instead of Mismatch.</p> <p>Work Around:</p> <p>"resetcd" would work at times. But it's better to do a clrmscnf for the RPM slot.</p>                                                                                                                                                                                                                                                                                                         |
| CSCdp89717 | <p>In some cases, when RPM fails, it is not declared as failed on PXM. And any attempt to cc to this FAILED card fails, even though it is showing ACTIVE on PXM. So this is not a cc problem, but the card state should be changed from ACTIVE to FAILED.</p> <p>Workaround:</p> <p>check the console of RPM and if it has failed, reset the card either from console (using "reload" command) or from PXM (using "resetcd &lt;slotno&gt;" command).</p>                                                                                                          |
| CSCdp96632 | <p>Table rpm_port parameter will have -1 value even the port is in active state. rpm_port parameter table is having wrong value because the status given by RPM does not match with the values expected by MIB definitions. As a result this the retrieved values show wrong status.</p>                                                                                                                                                                                                                                                                          |
| CSCdr14672 | <p>Standby FRSM shows not available under redundancy and hot standby table. Happened once. User was performing a lot of operations such as softswitch, switchcc, delapsln, addapsln, switchapsln. dspreed and dsphotstandby command outputs however, show one slot to be empty and second one available as hotstandby respectively. It is not possible to softswitch from one to the other since one is not available as a standby.</p>                                                                                                                           |
| CSCdr05471 | <p>Softswitch caused FRSM-CT3 cards to go to failed state. ed map in the PXM had the same slot number for both the entries.</p>                                                                                                                                                                                                                                                                                                                                                                                                                                   |
| CSCdp81287 | <p>clrmscnf says unsupported SM for CESM-8E1</p>                                                                                                                                                                                                                                                                                                                                                                                                                                                                                                                  |
| CSCdr02667 | <p>When IMA ports are configured on AUSM via SRM (BULK distribution), execution of "switchcc" causes IMA port failure.</p> <p>Workaround</p> <p>None</p>                                                                                                                                                                                                                                                                                                                                                                                                          |
| CSCdr10332 | <p>Upon switchcc ausm in bulk mode receives wrong vpi-vci cells. The setup includes ausm to ausm DAX connection. An ATM tester is connected to one ausm and traffic is pumped through it. The other ausm is configured in bulk mode. Traffic is being pumped on 4 ports of the card. When a switchcc is done some ports of ausm get cells with wrong vpi-vci. Some recover and some not. This was observed more frequently when a back card was inserted in the ausm slot configured in bulk mode. This was also observed when the back card was not present.</p> |

| Bug ID     | Description                                                                                                                                                                                                                                                                                                                                                                              |
|------------|------------------------------------------------------------------------------------------------------------------------------------------------------------------------------------------------------------------------------------------------------------------------------------------------------------------------------------------------------------------------------------------|
| CSCdr09927 | <p>AUSM configured with an IMA port sends the trap 50231 on softswitch. The trap contains the varbind imaPortState.0 (Integer): failed DueToImaSigFailure. The description for 50231 says "Indicates that IMA group is active" that contradicts with the value of the varbind imaPortState seen in the trap.</p> <p>Workaround:<br/>None</p>                                             |
| CSCdr17959 | <p>AUSM card hangs if 2 to 3 ILMI requests are sent on a port. It reboots if 5 ILMI requests are sent.</p> <p>Workaround:<br/>Disable ILMI.</p>                                                                                                                                                                                                                                          |
| CSCdp71073 | <p>After softswitch the wrong slot number is used for some log messages</p>                                                                                                                                                                                                                                                                                                              |
| CSCdr20239 | <p>Symptom:<br/>tstcon clears alarm status of connection when connection is failed due to remote abt failre.</p> <p>conditions:<br/>connection has to be feeder, there are no other known conditons. Moreover this problem doesn't seem to happen always.</p> <p>Workaround:<br/>currently there is no workaround for this problem. resetting the card might get right alarm status.</p> |
| CSCdp94060 | <p>Receiving user connection modification traps 25015 for no reason</p>                                                                                                                                                                                                                                                                                                                  |
| CSCdr05045 | <p>Trap varbinds missin in ChanOAMLpbkStatus Trap 50311</p>                                                                                                                                                                                                                                                                                                                              |

| Bug ID     | Description                                                                                                                                                                                                                                                                                                                                                                                                                                                                                                                                                                                                                                                                                                                                                                                                                                                                                                                                                                                                                                                                                                                                                        |
|------------|--------------------------------------------------------------------------------------------------------------------------------------------------------------------------------------------------------------------------------------------------------------------------------------------------------------------------------------------------------------------------------------------------------------------------------------------------------------------------------------------------------------------------------------------------------------------------------------------------------------------------------------------------------------------------------------------------------------------------------------------------------------------------------------------------------------------------------------------------------------------------------------------------------------------------------------------------------------------------------------------------------------------------------------------------------------------------------------------------------------------------------------------------------------------|
| CSCdr16720 | <p>Problem Description:</p> <p>Softswitch caused the standby FRSM-VHS to Failed state. (Though softswitch succeeded according to the CLI it really didn't occur.</p> <p>Setup:</p> <p>FRSM-2T3 cards in Slots 1 &amp; 2, configured for 1:1 redundancy with Y cable and connected to ADC-Kentrok DSU. Traffic was pumped from Tekelec tester to the cards. FRSM-2T3 in Slot 1 was in Active and FRSM-2T3 in Slot 2 was in Standby.</p> <p>Steps involved:</p> <p>With the traffic present, configured cnflnsubrate on FRSM-2T3 on the Active card i.e Slot 1. The configuration went fine. Now did a softswitch. The softswitch cli got executed and the dspcds cli executed immediately after the softswitch, showed the Slot 1 as still active and Slot 2 as standby, but the redundancy column was giving the message covering Slot 1.</p> <p>The next dspcds after sometime, showed the card in Slot 2 as Failed (It was supposed to have come to Active and the card in Slot 1 should have gone to Standby). The card in Slot 1 never got reset and the traffic continuity was perfect.</p>                                                                   |
| CSCdr19456 | <p>Sending 5 ilmi requests to an AUSM card make the directly connected AUSM card to reboot. Setting up an HP test set to a directly connected AUSM card. Created a connection to another AUSM card with a loopback plug on that port. After sending only two ilmi requests the directly connected AUSM card locks up. After sending five ilmi requests the directly connected AUSM</p>                                                                                                                                                                                                                                                                                                                                                                                                                                                                                                                                                                                                                                                                                                                                                                             |
| CSCdp84145 | <p>When add a connection from CWM using local and remote nodename which is different from the one configured on the node (because CWM is not synced with Popeye 1) , the addcon request erroneously passes and the connection gets added. This is because of the fact that the some service modules are not doing the checking for the Local Nodename. It just passes the Local Nodename without checking whether it is valid or not. When the addcon request comes to PAR, we check whether the local and remote NSAP match or not, in case they match we allow the addcon to go through. PAR assumes the Local nodename to be correctly passed from Platform.</p> <p>The error is not seen when we try to add a connection from CLI with incorrect remote nodename. In case of CLI, we don't have to specify the Local Nodename, it is extracted from the database by the respective Service Module. This problem is only seen when we use CWM(to reproduce the problem one can use SNMP set as well).</p> <p>We need make sure that Service Modules are doing the validity check for Local Nodename before sending the Hard Disk Update to Platform or not.</p> |
| CSCdp57090 | <p>E1 external clock config reverts to T1 after resetsys</p>                                                                                                                                                                                                                                                                                                                                                                                                                                                                                                                                                                                                                                                                                                                                                                                                                                                                                                                                                                                                                                                                                                       |
| CSCdp60443 | <p>Symptom:</p> <p>switchover induced by removing the backcards resulting 15sec data outage.</p> <p>Workaround:</p> <p>User has to do either softswitch or resetcd and remove the backcard of standby card.</p>                                                                                                                                                                                                                                                                                                                                                                                                                                                                                                                                                                                                                                                                                                                                                                                                                                                                                                                                                    |

| Bug ID     | Description                                                                                                                                                                                                                                                                                                                                                                                                                                                                                                                                                                                                                                                                                                                                                                                                                                                                                                                                                                                                                                                                                                                                                                                                                                                                                                                                                                               |
|------------|-------------------------------------------------------------------------------------------------------------------------------------------------------------------------------------------------------------------------------------------------------------------------------------------------------------------------------------------------------------------------------------------------------------------------------------------------------------------------------------------------------------------------------------------------------------------------------------------------------------------------------------------------------------------------------------------------------------------------------------------------------------------------------------------------------------------------------------------------------------------------------------------------------------------------------------------------------------------------------------------------------------------------------------------------------------------------------------------------------------------------------------------------------------------------------------------------------------------------------------------------------------------------------------------------------------------------------------------------------------------------------------------|
| CSCdp63922 | Connections could not be added successfully from a SM, with a particular port/DLCI combo that did not seem to be used.                                                                                                                                                                                                                                                                                                                                                                                                                                                                                                                                                                                                                                                                                                                                                                                                                                                                                                                                                                                                                                                                                                                                                                                                                                                                    |
| CSCdr11454 | PVC alarm status was not reported correctly after a softswitch was executed on fRSM-2cT3                                                                                                                                                                                                                                                                                                                                                                                                                                                                                                                                                                                                                                                                                                                                                                                                                                                                                                                                                                                                                                                                                                                                                                                                                                                                                                  |
| CSCdr19456 | Sending 5 ilmi requests to an AUSM card make the directly connected AUSM card to reboot. Setting up an HP test set to a directly connected AUSM card and loopback on the port.                                                                                                                                                                                                                                                                                                                                                                                                                                                                                                                                                                                                                                                                                                                                                                                                                                                                                                                                                                                                                                                                                                                                                                                                            |
| CSCdk71643 | <p data-bbox="560 598 803 640">Symptom/Condition:</p> <p data-bbox="560 651 1510 871">This is suppose to be an added feature that gives robust end to end connectivity with full recovery in cases of error. But unfortunately, with the current design it will take some extra effort and time to provide this. It will be part of future enhancement and may be available in the next release. Just a little note about why, any Traps sent to PAR are directed by LCN number which is not available without a complete end to end connection, which currently limits the generation of Traps for incomplete connections (after a stipulated timeout period).</p> <p data-bbox="560 882 1510 1113">For now, due to absence of these traps a little more responsibility goes to the end user who is creating end to end connections. It is important that if and when a connection is added or removed both Master and Slave end of the connection should be added or removed respectively. Only one side of a connection should not be removed to create a new connection with the other side. Hence creating and deleting connections under any circumstance is complete only with the creation and deletion of both end of the connections. Failure to do this can result in unneeded dangling connections.</p>                                                                       |
| CSCdk86638 | <p data-bbox="560 1134 673 1176">Symptom:</p> <p data-bbox="560 1186 1510 1281">When using CWM to add connections, if the connection addition request times out, subsequent addition of the same connection may fail as well, complaining that the connection already exists (even though it timed out).</p> <p data-bbox="560 1291 706 1333">Description:</p> <p data-bbox="560 1344 901 1375">This is caused by two factors:</p> <ol data-bbox="560 1386 1510 1627" style="list-style-type: none"> <li data-bbox="560 1386 1510 1480">1. CWM assumes that when time out, connections are not added on the switch on which the timeout occurs, and thereby only removes other segments of the timed out connection on other involved nodes.</li> <li data-bbox="560 1491 1510 1627">2. On MGX switch, when CWM reports connection timeout, it does not necessarily mean a timeout on the switch. The CWM timeout may be caused, for example, by the network delay etc. from switch and CWM. The connection may actually be provisioned on the switch.</li> </ol> <p data-bbox="560 1638 706 1669">Workaround:</p> <p data-bbox="560 1680 1510 1774">Don't use the same vpi/vci/dlci used by the timed out connections. This can be fixed by CWM to perform a retrieval to check if the connection is actually provisioned or not on the switch, after connection addition times out.</p> |

| Bug ID     | Description                                                                                                                                                                                                                                                                                                                                                                                                                                                                                                                                                                                                                                                                                                                                                                                                                                                                                                                                                                                                                                                                                                                                                                                                                                                                                                                                                                                                                                                                                                                                                                                                                                                                                                                                                                                                                                                                                                                                                                                                                           |
|------------|---------------------------------------------------------------------------------------------------------------------------------------------------------------------------------------------------------------------------------------------------------------------------------------------------------------------------------------------------------------------------------------------------------------------------------------------------------------------------------------------------------------------------------------------------------------------------------------------------------------------------------------------------------------------------------------------------------------------------------------------------------------------------------------------------------------------------------------------------------------------------------------------------------------------------------------------------------------------------------------------------------------------------------------------------------------------------------------------------------------------------------------------------------------------------------------------------------------------------------------------------------------------------------------------------------------------------------------------------------------------------------------------------------------------------------------------------------------------------------------------------------------------------------------------------------------------------------------------------------------------------------------------------------------------------------------------------------------------------------------------------------------------------------------------------------------------------------------------------------------------------------------------------------------------------------------------------------------------------------------------------------------------------------------|
| CSCdm05358 | <p data-bbox="516 296 630 321">Symptom:</p> <p data-bbox="516 342 1435 401">When modifying a particular protected memory address on CESM8p which causes CESM HW watchdog reset, PXM got reset or lost SAR functionality.</p> <p data-bbox="516 422 651 447">Description:</p> <p data-bbox="516 468 1458 552">When this happens, CESM sent a huge amount of traffic onto the management connection which is supposed to be used for intercard communication activities such as polling.</p> <p data-bbox="516 573 1458 632">This traffic causes the SAR to spend all its resources on doing the cleaning/flushing in ISR (interrupt service).</p> <p data-bbox="516 653 1458 711">This address should never be modified using the shellConn 'modify' command. It was used unknowingly in debug/test process.</p> <p data-bbox="516 732 667 758">Workaround:</p> <p data-bbox="516 779 1458 837">Don't try to modify this protected address in shellConn (m 0xb300060) (0xb300060 is ATMizer CPU address for SAR on CESM8P).</p> <p data-bbox="516 858 1458 905">As a general guideline, shellConn commands like 'modify memory' should not be used by the customer.</p>                                                                                                                                                                                                                                                                                                                                                                                                                                                                                                                                                                                                                                                                                                                                                                                                                                                                |
| CSCdm10722 | <p data-bbox="516 947 748 972">Symptom/Condition:</p> <p data-bbox="516 993 1458 1110">The install, newrev and commit commands for service module upgrade (there is no concept of downgrade here, as there exists only one valid, service module image on the disk at a time), do not follow, the same state machine as PXM commands in the current release.</p> <p data-bbox="516 1131 1425 1190">Hence, it is mandatory, that for service modules, these commands are given in the documented order, which is:</p> <ol data-bbox="573 1211 699 1325" style="list-style-type: none"> <li data-bbox="573 1211 678 1236">(1) install</li> <li data-bbox="573 1257 691 1283">(2) newrev</li> <li data-bbox="573 1304 699 1329">(3) commit</li> </ol> <p data-bbox="516 1350 1458 1467">WARNING: If these, commands are not given in the above specified order, we can be in a situation where we can have two different images running on the primary/secondary combination. However, on the disk, there is only one valid image for the service modules.</p> <p data-bbox="516 1488 659 1514">Workaround:</p> <p data-bbox="516 1535 1393 1593">Assuming, that these commands were given out of order, and now we have two different images, running, on primary / secondary combination.</p> <ol data-bbox="573 1614 911 1682" style="list-style-type: none"> <li data-bbox="573 1614 824 1640">f1 - Old image version</li> <li data-bbox="573 1661 906 1686">f2 - Newly downloaded image</li> </ol> <ol data-bbox="516 1707 1458 1869" style="list-style-type: none"> <li data-bbox="516 1707 1154 1732">(1) Reset the secondary card, so that it comes up, with f2.</li> <li data-bbox="516 1753 1458 1812">(2) Do a softswitch between the two cards, so that secondary takes over and becomes active. At the same time, primary is reset, and comes up with f2.</li> <li data-bbox="516 1833 1458 1869">(3) If you may, you can now, do a softswitch, to revert back to the original primary, to restore normal state.</li> </ol> |

| <b>Bug ID</b> | <b>Description</b>                                                                                                                                                                                                                                                                                                                                                                                                                                                                   |
|---------------|--------------------------------------------------------------------------------------------------------------------------------------------------------------------------------------------------------------------------------------------------------------------------------------------------------------------------------------------------------------------------------------------------------------------------------------------------------------------------------------|
| CSCdm22510    | <p>Symptom:</p> <p>Connection traps are not sent out when receiving A bit update from CPE.</p> <p>Conditions:</p> <p>The end result of this is that CWM will not be notified about the channel status change (failure or normal), neither will PXM/PAR.</p> <p>The remote end is notified via in band OAM.</p> <p>This applies to all service modules.</p> <p>Workaround:</p> <p>No Workaround</p> <p>For more information on this bug, see the note at the end of this section.</p> |
| CSCdm31437    | <p>Conditions:</p> <p>SV+ needs a trap when a line is added or deleted.</p> <p>Symptoms:</p> <p>In a Feeder case, SV+ is informed of a line addition through Inband communication. However, in case of stand-alone configuration SV+ needs a trap to determine addition or deletion of lines.</p> <p>Workaround:</p> <p>There is currently no work around for this.</p>                                                                                                              |
| CSCdm53758    | <p>Problem:</p> <p>Channel alarms do not get propagated to the middle segment if NNI signalling is enabled.</p> <p>Cause:</p> <p>This happens because the channel level traps are disabled. This will be fixed once a bulk trap mechanism is implemented to indicate channel alarms.</p> <p>Workaround:</p> <p>None.</p>                                                                                                                                                             |

| Bug ID     | Description                                                                                                                                                                                                                                                                                                                                                                                                                                                                                                                                                                                                                                                                                                                                                                                                                                                                                                                                                                                                                                                                                                                                                  |
|------------|--------------------------------------------------------------------------------------------------------------------------------------------------------------------------------------------------------------------------------------------------------------------------------------------------------------------------------------------------------------------------------------------------------------------------------------------------------------------------------------------------------------------------------------------------------------------------------------------------------------------------------------------------------------------------------------------------------------------------------------------------------------------------------------------------------------------------------------------------------------------------------------------------------------------------------------------------------------------------------------------------------------------------------------------------------------------------------------------------------------------------------------------------------------|
| CSCdm56094 | <p data-bbox="516 296 621 321">Symptom</p> <p data-bbox="516 342 1458 464">The far end device can not be put into a loopback using the “Far End Inband Loopback” or the “Far End ESF Loopback” options under the “DEVICE TO LOOP” menu in the “cnfbert” command. If these options are chosen as part of a BERT pattern test, then the test will not be configured as it will fail to sync the pattern.</p> <p data-bbox="516 485 621 510">Condition</p> <p data-bbox="516 531 1458 682">The inband and ESF loopbacks are activated/de-activated by transmitting the loopback codes for the minimum number of seconds specified by the ANSI T1.403 specification. However, due to variations in the way time is measured by the AUSM and the far-end devices, some devices do not detect the code for the desired number of seconds and hence they do not activate/deactivate the loopback.</p> <p data-bbox="516 703 651 728">Workaround</p> <p data-bbox="516 749 1458 804">This problem may not be seen on all (far-end) devices. If it is seen, then there is no workaround other than trying to repeat the test configuration till it is successful.</p> |
| CSCdp11859 | <p data-bbox="516 842 621 867">Symptom:</p> <p data-bbox="516 888 1458 976">The ABCD bits that are produced on the egress of a CCS-to-CAS connection seem to have a random/unpredictable pattern. As this also applies to the MFA signal, attached devices might go OOMF.</p> <p data-bbox="516 997 651 1022">Workaround:</p> <p data-bbox="516 1043 987 1068">There is currently no work around for this.</p>                                                                                                                                                                                                                                                                                                                                                                                                                                                                                                                                                                                                                                                                                                                                               |
| CSCdm21127 | <p data-bbox="516 1106 621 1131">Symptom:</p> <p data-bbox="516 1152 1458 1270">Connections set-up with the WAN manager have not enough BW in the ATM part. The WAN manager translates the CIR into ATM cells according to the following relation: <math>Cells/s = CIR(bits/s)/384</math>. The full ATM payload is assumed available and there is no reserve for protocol overhead and padding of AAL5.</p>                                                                                                                                                                                                                                                                                                                                                                                                                                                                                                                                                                                                                                                                                                                                                  |
| CSCdp44837 | <p data-bbox="516 1308 621 1333">Symptom :</p> <p data-bbox="516 1354 1458 1409">When deleting large no. of connections using a script, it was found that for some connections, the resorces were not freed properly.</p> <p data-bbox="516 1430 651 1455">Workaround :</p> <p data-bbox="516 1476 643 1497">do switchcc</p>                                                                                                                                                                                                                                                                                                                                                                                                                                                                                                                                                                                                                                                                                                                                                                                                                                 |

| Bug ID     | Description                                                                                                                                                                                                                                                                                                                                                                                                                                                                                                                                                                                                                                                                                                                                                                                                                                                                                                                                                                                                                                                                                            |
|------------|--------------------------------------------------------------------------------------------------------------------------------------------------------------------------------------------------------------------------------------------------------------------------------------------------------------------------------------------------------------------------------------------------------------------------------------------------------------------------------------------------------------------------------------------------------------------------------------------------------------------------------------------------------------------------------------------------------------------------------------------------------------------------------------------------------------------------------------------------------------------------------------------------------------------------------------------------------------------------------------------------------------------------------------------------------------------------------------------------------|
| CSCdk86638 | <p>Symptom:</p> <p>When using CWM to add connections, if the connection addition request times out, subsequent addition of the same connection may fail as well, complaining that the connection already exists (even though it timed out).</p> <p>Description:</p> <p>This is caused by two factors:</p> <ol style="list-style-type: none"> <li>1. CWM assumes that when time out, connections are not added on the switch on which the timeout occurs, and thereby only removes other segments of the timed out connection on other involved nodes.</li> <li>2. On MGX switch, when CWM reports connection timeout, it does not necessarily mean a timeout on the switch. The CWM timeout may be caused, for example, by the network delay etc. from switch and CWM. The connection may actually be provisioned on the switch.</li> </ol> <p>Workaround:</p> <p>Don't use the same vpi/vci/dlci used by the timed out connections. This can be fixed by CWM to perform a retrieval to check if the connection is actually provisioned or not on the switch, after connection addition times out.</p> |
| CSCdp51707 | <p>Symptom:</p> <p>RPM card becomes active when it should go to mismatch state. Remove AUSM without doing clrmscnf and install RPM.</p> <p>Workaround:</p> <p>None.</p>                                                                                                                                                                                                                                                                                                                                                                                                                                                                                                                                                                                                                                                                                                                                                                                                                                                                                                                                |
| CSCdp46927 | <p>Symptoms:</p> <p>vismcard in alarm after addcid</p> <p>Conditions:</p> <p>while doing addcon when line is in alarm</p> <p>Work Around :</p> <p>reset vism card .</p>                                                                                                                                                                                                                                                                                                                                                                                                                                                                                                                                                                                                                                                                                                                                                                                                                                                                                                                                |
| CSCdp57673 | <p>Symptom:</p> <p>RPM removal trap will show incorrect functionModuleState (ACTIVE).</p> <p>Conditions:</p> <p>RPM removal.</p> <p>Workaround:</p> <p>None.</p>                                                                                                                                                                                                                                                                                                                                                                                                                                                                                                                                                                                                                                                                                                                                                                                                                                                                                                                                       |

| Bug ID     | Description                                                                                                                                                                                                                                                                                                                                                                                                                                                                                                                                                                                                                                 |
|------------|---------------------------------------------------------------------------------------------------------------------------------------------------------------------------------------------------------------------------------------------------------------------------------------------------------------------------------------------------------------------------------------------------------------------------------------------------------------------------------------------------------------------------------------------------------------------------------------------------------------------------------------------|
| CSCdp52549 | This software error has been a one time occurrence when deleting a connection. The cause of the software error is a retry attempt to delete a connection which is already in the process of deletion. The error is just a warning and has no side effect on the connection which is deleted.                                                                                                                                                                                                                                                                                                                                                |
| CSCdp39900 | The software error is logged when trying to allocate a msg buffer to send VSI commit for a connection. Buffer allocation problem was fixed by bug CSCdp29728. Retest the problem with the fix for bug CSCdp29728. If the problem doesn't exist, we can close the bug.                                                                                                                                                                                                                                                                                                                                                                       |
| CSCdp63924 | SYSTEM ERROR 20102 (PV_DB_RMV_ERR) is reported when we try to refer a completed transaction. This is duplicate of the bug CSCdp39894                                                                                                                                                                                                                                                                                                                                                                                                                                                                                                        |
| CSCdp59851 | Customer is currently BLOCKED. 2 channels have deleted automatically. Per the log messages, PAR failed, followed by PVC deletion.                                                                                                                                                                                                                                                                                                                                                                                                                                                                                                           |
| CSCdp65639 | This is needed in cases of abnormalities such as excessive error logging which are more prevalent when the product is in development in engineering environment. Conditions such as these are not expected to occur in released software. Existence of any such problem that can lead to time out scenario described in the bug report would be the one to be addressed as the root cause. There are no known outstanding issues of such nature at this time in released software.                                                                                                                                                          |
| CSCdp44837 | Symptom :<br>When deleting large no. of connections using a script, it was found that for some connections, the resources were not freed properly.<br>Workaround :<br>do swithcc                                                                                                                                                                                                                                                                                                                                                                                                                                                            |
| CSCdp39894 | The software error is logged as a result of an attempt to refer to a transaction that is already complete. Such an attempt is due to a retry resulting from a timeout. Since the transaction is already complete, the error is logged only for information and has no serious implication in this case.                                                                                                                                                                                                                                                                                                                                     |
| CSCdp48790 | This problem has not been reproducible. It was primarily a display issue observed on a one time occurrence.                                                                                                                                                                                                                                                                                                                                                                                                                                                                                                                                 |
| CSCdp32043 | Sv+ node sync always failed because of timeout, due to tftp very low. This condition was caused by manually issuing multiple switchccs on the active PXM during config uploads from a SM to CWM. This condition happens when at least three such uploads to a SM is terminated by the switchccs. Hitting this window is extremely rare as config uploads start and finish within a very short duration.<br>The recovery from this condition is to reboot the SM.<br>The chances of happening this in the field is very very remote.<br>Engineering has a solution for this problem, which would be thoroughly tested before it is released. |

| Bug ID     | Description                                                                                                                                                                                                                                                                                                                                                                                                                                                                                                                                                                                            |
|------------|--------------------------------------------------------------------------------------------------------------------------------------------------------------------------------------------------------------------------------------------------------------------------------------------------------------------------------------------------------------------------------------------------------------------------------------------------------------------------------------------------------------------------------------------------------------------------------------------------------|
| CSCdp36477 | <p>Symptom:<br/>switchcc on 8850 causes a Sig_F aps line switch on BPX</p> <p>Conditions:<br/>This happens rarely on our shelves.</p> <p>Workaround:<br/>None</p>                                                                                                                                                                                                                                                                                                                                                                                                                                      |
| CSCdp70729 | Customer seeing differences between the AXIS and the popeye when trying to do an SNMP switchCoreCard.                                                                                                                                                                                                                                                                                                                                                                                                                                                                                                  |
| CSCdp65652 | The ImaGroupRxImaId is not updating properly on the AUSM when the TxImaGroupId parameter is manually changed via the Kentrox CPE.                                                                                                                                                                                                                                                                                                                                                                                                                                                                      |
| CSCdp71073 | Customer has performed a softswitch with redundancy setup between slot 22 and slot 30. After reviewing the logs, they noticed that the wrong slot numbers are referenced in the log. They believe that axis slots are being referenced rather than popeye slots.                                                                                                                                                                                                                                                                                                                                       |
| CSCdp50317 | <p>Problem:<br/>Information displayed using the "dsphotstandby" command is not consistent.</p> <p>Symptoms:<br/>When one of the cards in a 1:1 Hotstandby pair is pulled, the dsphotstandby command displays out, it displays "Slot XX :SM not in Hot Standby state.". If you never inserted an SM with Hotstandby following the last shelf reset, it displays a slightly different message. "Slot XX :SM linked by 1:1 Redundancy. HSB not supported."</p> <p>Workaround:<br/>None required. If there is no SM in the slot, both the messages indicated that there is no Hotstandby in this slot.</p> |
| CSCdp60443 | <p>upto 15 sec outage on FRSM-2CT3 when backcard removed.</p> <p>Workaround:<br/>User has to do either softswitch or resetcd and remove the backcard of standby card.</p>                                                                                                                                                                                                                                                                                                                                                                                                                              |
| CSCdp57673 | <p>RPM removal trap will show incorrect functionModuleState (ACTIVE).</p> <p>Workaround<br/>None</p>                                                                                                                                                                                                                                                                                                                                                                                                                                                                                                   |

**CSCdm22510**

The NNI part of the connection is working correctly. A=0 is being sent from the tester to the local port of the FRSM and the remote port of the FRSM is sending A=0 to the remote port of the tester. However, Test Suite 16 of Bellcore's Frame Relay Protocol Conformance Certification Test Suites states "Since the active /inactive indication is independent of direction, the IUT(FRSM) Local port (DLCI 16) should

transmit STATUS messages with ACTIVE status to the local test equipment." In other words port 1(Local port) of the FRSM should also transmit A=1 back to port 1(Local port) of the tester. This is stated in Frame Relay Forum Document No. FRF 2.1 Frame Relay Network-to-Network Interface Implementation Agreement. This was verified by Bellcore Engineer:

The last sentence of the expected results statement: "Since the active/inactive indication is independent of direction, the IUT Local port (DLCI 16) should transmit STATUS messages with ACTIVE status to the local test equipment." is correct as stated. This statement actually reflects a requirement from FRF 2.1 Section 4.2:

"PVC status information from full status reports and optionally from single PVC asynchronous status reports shall be propagated towards the user-to-network interface (UNI) of the multi-network PVC. The PVC status information element active bit state signaled at the NNI is independent of the PVC status information element active bit state signaled in the other direction at the same NNI."

Bidirectional status signaling requires that a user side process and a network side process execute concurrently. Nowhere in the requirements, Annex A, Annex D, FRF 2.1 does it state that these processes share information. They are totally independent. PVC status is signalled to the local user based on the service affecting conditions or PVC status signaled from the remote user side.

#### FRF 2.1 Section 4.2 Polling requirements of network-to-network interfaces

Two sets of sequence numbers and local in-channel signalling parameters are administered for the network-to-network interface as shown below; see the table for parameter ranges and default values.

user side procedures - T391, N391, N392, and N393

network side procedures - T392, N392, and N393

The table below summarizes the acceptable values when using bidirectional procedures at the NNI. The default values should be used as the actual system system parameter values. Parameter values other than the default values are a subscription time option. Procedures for starting and stopping T391 and T392 are described in Q.933 Annex A.

**Table 1** *NNI system parameters*

| Name | Range | Default | Units          | Definition                                                                                                                                                                                                                                                                                         |
|------|-------|---------|----------------|----------------------------------------------------------------------------------------------------------------------------------------------------------------------------------------------------------------------------------------------------------------------------------------------------|
| N391 | 1-255 | 6       | Polling Cycles | Full status(status of all PVCs)polling cycles.                                                                                                                                                                                                                                                     |
| N392 | 1-10  | 3       | Errors         | Number of errors during N393 monitored events which cause the channel/user side procedures to be declared inactive. This number may also be used by the user side procedures as the number of errors during N393 monitored events which cause the network side procedures to be declared inactive. |
| N393 | 1-10  | 4       | Events         | Monitored events count.                                                                                                                                                                                                                                                                            |
| T391 | 5-30  | 10      | Seconds        | Link integrity verification polling timer.                                                                                                                                                                                                                                                         |
| T392 | 5-30  | 15      | Seconds        | Timer for verification of polling cycle.                                                                                                                                                                                                                                                           |

Both networks are required to initiate status enquiry messages based on T391. A full status report is requested each N391 (default 6) polling cycles. Both networks shall have the same values for T391, T392, N392, and N393 for both user side procedures and network side procedures; N391 is not required to have the same value in both networks.

PVC status information from full status reports and optionally from single PVC asynchronous status reports shall be propagated towards the user-to-network interface (UNI) of the multi-network PVC. The PVC status information element active bit state signaled at the NNI is independent of the PVC status information element active bit state signalled in the other direction at the same NNI.

**Note**

In addition, when a PVC segment's active/inactive status has changed, or a PVC segment has been newly added or deleted, the network should respond to any poll (i.e., status enquiry) with a full status report. Alternatively, the network may generate a single PVC asynchronous status report to convey the PVC segment's status change.

## Known Anomalies for RPM release 12.1(1)T

1. The show rscprtn command on RPM will always display the state as "out of sync". This does not necessarily mean that the config on the PXM and RPM are out of sync. The PXM software 1.1.23 does not fully recognize a particular message from RPM and hence assumes that it is out of sync. The user will still be able to add the connections. The only side effect is that there will be a syslog entry (and a message on the console, if not under telnet) every five minutes.
2. WRED feature on the PA-A3 RPM is not functionally working.

## Known Anomalies for RPM Release 12.0(5)T1

These RPM anomalies are tied to its function with the MGX 8850. For generic IOS issues, refer to the 12.0.5T1 release notes.

- Under heavy load conditions from multiple sources, RPM performance may degrade (CSCdk91818)
- Some RPMs may not boot when more than 8 RPMs are booting simultaneously from the PXM hard disk (CSCdm14987)
- UBR connection for RPM is not supported from CWM, even though the CLI can support it



**Note** For more details refer to the CWM Release 9.2.05 release notes part number 78-6659-05

- The ABR service type is not supported in 12.0.5T1/120.5.T1 release of MGX/RPM but the CLI does not restrict the provisioning.
- Under heavy load conditions the counter (input queue size, packet output byte size) values reported may be incorrect particularly with Tag VP configuration.
- It is required to allow OSPF and MPLS to converge while adding connections continuously. Otherwise, it will load the CPU and cause CPUHOG condition. Under such condition the IPC channel is not serviced which in turn will cause PXM to declare RPM in Failed state.

This problem will not occur when either enough time is given to the protocols to converge or the newly added connections are just added without enabling these protocols, and later these protocols are enabled on them.

To avoid this condition, you may limit the tag PVP connections to 75 or fewer. Above this, the TDP updates may create a CPUHOG condition (with CPU utilization very high). This in turn will break the IPC channel between PXM and RPM, and PXM will declare the RPM as Failed.

- It is not recommended to shut the switch interface. Doing so will remove the connection to the MGX cell-bus and all connections will go down. It also generates some trace back error messages, which are benign. The 120-5.T image does not provide any caution or warning when the command is entered.
- In some instances you may see RPM\_VIRTUAL\_PORT-3-IPCERR indicating that RPM was not able to convey the existing virtual port information to PXM. This situation is more likely to happen after “clrallcnf” is executed or the card is reset. At this point the connection database gets out of sync between RPM and PXM, and RPM experienced a problem in connection resync. However the connection eventually comes up successfully.

If not, the saved config needs to be copied to running config by “copy” command.

- In multi-point configuration with inverse ARP, it is recommended to decrease the frequency from the default value of 15 min to 1 min.
- If you are unable to overwrite on an existing config file on PXM disk and are getting the:  

```
%error opening c: filename (bad file number)
```

 message then delete:  

```
(rm <filename>)
```

 the existing file and then copy the new file.
- In 120-5.T release when RPM re-loads, the “Status” column in the output of the “show switch connections” command show “MISMATCH” for all the connections or for a few connections even though the connections are fine and traffic passes through them without any problem.  
 If the PVC leg of the connections is added using the “pvc” command, then the “VCD” is chosen automatically for those PVCs. If the RPM is reloaded, then these VCD values might change. If they do change, then those connections will appear in the mismatched state.

This condition does not affect traffic. The problem can be avoided by using the “atm pvc” command which requires the user to specify the VCD value explicitly in the command. The “show switch connections nextvcd” command can be used to determine a VCD value that can be used with the “atm pvc” command.

In the event that the “pvc” commands were used and the connections go into the mismatched state, they can be cleaned up by re-adding the affected connections or if all the connections are affected and all of them are in the mismatched state, they can all be re-added using the “copy startup-config running-config” command.

This problem is fixed in the 120-5.T1 release.

## RPM Configuration Examples for MPLS-based Virtual Private Networks

The following are MPLS VPN examples with MGX/RPM. These examples will be included in the online version of the *Cisco RPM Installation and Configuration* publication.

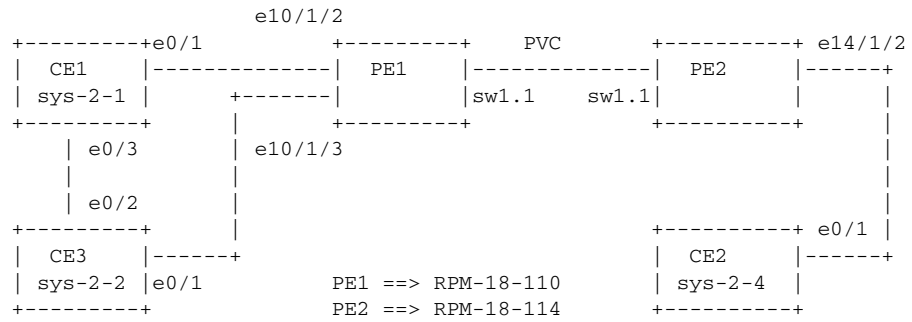
# One PE - Two CE Configuration

The following is a one PE and two CE VPN configuration.



**Note**

Both RPMs are in the same shelf or chassis.



# One PE - Two CE Configuration - OSPF & IBPG Between PEs & EBGP between PE-CE

## CE1 Configuration:

```

sys-2-1#sho run
Building configuration...

Current configuration:
!
version 12.0
service timestamps debug uptime
service timestamps log uptime
no service password-encryption
!
hostname sys-2-1
!
boot system tftp mpls/12.0/c3620-js-mz.120-5.0.2.T2 3.3.0.1
logging buffered 4096 debugging
no logging console
!
!
!
!
!
ip subnet-zero
no ip domain-lookup
ip host ios-lab-fw 3.3.0.1
!
ip cef
cns event-service server
!
!
!
process-max-time 200
!
interface Loopback0
 ip address 12.12.12.12 255.255.255.255
 no ip directed-broadcast
!
interface Ethernet0/0
 ip address 3.3.30.1 255.255.0.0
 no ip directed-broadcast
 shutdown
!
interface Ethernet0/1
 ip address 50.0.0.1 255.0.0.0
 no ip directed-broadcast
!
interface Ethernet0/2
 no ip address
 no ip directed-broadcast
 shutdown
!
interface Ethernet0/3
 ip address 52.0.0.1 255.0.0.0
 no ip directed-broadcast
!
interface Serial1/0
 no ip address

```

```
no ip directed-broadcast
shutdown
no fair-queue
!
interface Serial1/1
no ip address
no ip directed-broadcast
shutdown
!
interface Serial1/2
no ip address
no ip directed-broadcast
shutdown
!
interface Serial1/3
no ip address
no ip directed-broadcast
shutdown
!
router ospf 100
redistribute bgp 101
passive-interface Ethernet0/1
network 12.0.0.0 0.255.255.255 area 100
network 52.0.0.0 0.255.255.255 area 100
!
router bgp 101
no synchronization
network 12.0.0.0
network 13.0.0.0
network 50.0.0.0
network 51.0.0.0
network 52.0.0.0
neighbor 50.0.0.2 remote-as 100
!
ip default-gateway 3.3.0.1
no ip classless
no ip http server
!
!
!
line con 0
exec-timeout 0 0
transport input none
line aux 0
line vty 0 4
password lab
login
!
!
end

sys-2-1#
sys-2-1#
```

## CE2 Configuration

```

sys-2-4#sho run
Building configuration...

Current configuration:
!
version 12.0
service timestamps debug uptime
service timestamps log uptime
no service password-encryption
!
hostname sys-2-4
!
boot system tftp mpls/12.0/c3640-js-mz.120-5.0.2.T2 3.3.0.1
logging buffered 4096 debugging
no logging console
!
!
!
!
ip subnet-zero
no ip domain-lookup
ip host ios-lab-fw 3.3.0.1
!
ip cef
cns event-service server
!
!
!
process-max-time 200
!
interface Loopback0
 ip address 14.14.14.14 255.255.255.255
 no ip directed-broadcast
!
interface Ethernet0/0
 ip address 3.3.30.4 255.255.0.0
 no ip directed-broadcast
 shutdown
!
interface Ethernet0/1
 ip address 53.0.0.2 255.0.0.0
 no ip directed-broadcast
!
interface Ethernet0/2
 no ip address
 no ip directed-broadcast
 shutdown
!
interface Ethernet0/3
 no ip address
 no ip directed-broadcast
 shutdown
!
router ospf 100
 redistribute bgp 102
 passive-interface Ethernet0/1
 network 14.0.0.0 0.255.255.255 area 100
!
router bgp 102

```

```
no synchronization
network 14.0.0.0
network 53.0.0.0
neighbor 53.0.0.1 remote-as 100
!
ip default-gateway 3.3.0.1
no ip classless
no ip http server
!
!
!
line con 0
  exec-timeout 0 0
  transport input none
line aux 0
line vty 0 4
  password lab
  login
!
!
end

sys-2-4#
sys-2-4#
```

**CE3 Configuration:**

```

sys-2-2#sho run
Building configuration...

Current configuration:
!
version 12.0
service timestamps debug uptime
service timestamps log uptime
no service password-encryption
!
hostname sys-2-2
!
boot system tftp mpls/12.0/c3640-js-mz.120-5.0.2.T2 3.3.0.1
logging buffered 4096 debugging
no logging console
!
!
!
!
!
ip subnet-zero
no ip domain-lookup
ip host ios-lab-fw 3.3.0.1
!
ip cef
cns event-service server
!
!
!
process-max-time 200
!
interface Loopback0
 ip address 13.13.13.13 255.255.255.255
 no ip directed-broadcast
!
interface Ethernet0/0
 ip address 3.3.30.2 255.255.0.0
 no ip directed-broadcast
 shutdown
!
interface Ethernet0/1
 ip address 51.0.0.2 255.0.0.0
 no ip directed-broadcast
!
interface Ethernet0/2
 ip address 52.0.0.2 255.0.0.0
 no ip directed-broadcast
!
interface Ethernet0/3
 no ip address
 no ip directed-broadcast
 shutdown
!
interface Serial1/0
 no ip address
 no ip directed-broadcast
 shutdown
 no fair-queue
!
interface Serial1/1

```

```
no ip address
no ip directed-broadcast
shutdown
!
interface Serial1/2
no ip address
no ip directed-broadcast
shutdown
!
interface Serial1/3
no ip address
no ip directed-broadcast
shutdown
!
router ospf 100
redistribute bgp 101
passive-interface Ethernet0/1
network 13.0.0.0 0.255.255.255 area 100
network 52.0.0.0 0.255.255.255 area 100
!
router bgp 101
no synchronization
network 12.0.0.0
network 13.0.0.0
network 50.0.0.0
network 51.0.0.0
network 52.0.0.0
neighbor 51.0.0.1 remote-as 100
!
ip default-gateway 3.3.0.1
no ip classless
no ip http server
!
!
!
line con 0
exec-timeout 0 0
transport input none
line aux 0
line vty 0 4
password lab
login
!
!
end

sys-2-2#
sys-2-2#
```

## PE1 Configuration:

```

rpm-18-110#sho run
Building configuration...

Current configuration:
!
version 12.0
no service pad
service timestamps debug uptime
service timestamps log uptime
no service password-encryption
!
hostname rpm-18-110
!
boot system tftp mpls/12.0/rpm-js-mz.120-5.T.bin 3.3.0.1
no logging console
!
!
!
!
!
clock timezone EST -5
clock summer-time EDT recurring
ip subnet-zero
no ip domain-lookup
ip host ios-lab-fw 3.3.0.1
!
!
ip vrf vpn1
  rd 100:1
  route-target export 100:1
  route-target import 100:1
ip cef
cns event-service server
!
!
process-max-time 200
!
interface Loopback0
  ip address 11.11.11.11 255.255.255.255
  no ip directed-broadcast
!
interface Loopback1
  no ip address
  no ip directed-broadcast
!
interface Ethernet1/1
  ip address 3.3.18.110 255.255.0.0
  no ip directed-broadcast
  no ip mroute-cache
  no keepalive
!
interface Ethernet1/2
  ip vrf forwarding vpn1
  ip address 50.0.0.2 255.0.0.0
  no ip directed-broadcast
  no ip mroute-cache
  no keepalive
  tag-switching ip
!
interface Ethernet1/3

```

```

bandwidth 100
ip vrf forwarding vpn1
ip address 51.0.0.1 255.0.0.0
no ip directed-broadcast
no ip mroute-cache
tag-switching ip
no fair-queue
!
interface Ethernet1/4
no ip address
no ip directed-broadcast
no ip mroute-cache
no keepalive
!
interface FastEthernet2/1
no ip address
no ip directed-broadcast
no ip mroute-cache
!
interface Switch1
no ip address
no ip directed-broadcast
no atm ilmi-keepalive
!
interface Switch1.1 tag-switching
ip unnumbered Loopback0
no ip directed-broadcast
atm pvc 50 50 0 aal5snap
tag-switching atm vp-tunnel 50
tag-switching ip
!
interface Switch1.2 tag-switching
ip unnumbered Loopback0
no ip directed-broadcast
atm pvc 30 30 0 aal5snap
tag-switching atm vp-tunnel 30
tag-switching ip
!
interface Switch1.3 tag-switching
ip unnumbered Loopback0
no ip directed-broadcast
atm pvc 60 60 0 aal5snap
tag-switching atm vp-tunnel 60
tag-switching ip
!
router ospf 100
passive-interface Ethernet1/2
passive-interface Ethernet1/3
network 11.0.0.0 0.255.255.255 area 100
!
router bgp 100
no synchronization
no bgp default ipv4-unicast
neighbor 10.10.10.10 remote-as 100
neighbor 10.10.10.10 update-source Loopback0
!
address-family ipv4 vrf vpn1
neighbor 50.0.0.1 remote-as 101
neighbor 50.0.0.1 activate
neighbor 51.0.0.2 remote-as 101
neighbor 51.0.0.2 activate
no auto-summary
no synchronization
exit-address-family

```

```
!
address-family vpnv4
neighbor 10.10.10.10 activate
neighbor 10.10.10.10 send-community extended
exit-address-family
!
ip default-gateway 3.3.0.1
no ip classless
no ip http server
!
dialer-list 1 protocol ip permit
dialer-list 1 protocol ipx permit
!
x25 host shorun
!
line con 0
  exec-timeout 0 0
  transport input none
line aux 0
line vty 0 4
  password lab
  login
!
exception core-file mpls/mgx/dumps/rpm-18-110.core
rpmrscprtn PAR 100 100 0 255 0 3840 4047
addcon vpc switch 1.2 30 rslot 0 3 30 master local
addcon vpc switch 1.1 50 rslot 14 1 50
addcon vpc switch 1.3 60 rslot 0 4 60 master local
end

rpm-18-110#
rpm-18-110#
rpm-18-110#
```

## PE2 Configuration:

```

rpm-18-114#sho run
Building configuration...

Current configuration:
!
version 12.0
no service pad
service timestamps debug uptime
service timestamps log uptime
no service password-encryption
!
hostname rpm-18-114
!
boot system tftp mpls/12.0/rpm-js-mz.120-5.T.bin 3.3.0.1
no logging console
!
!
!
!
clock timezone EST -5
clock summer-time EDT recurring
ip subnet-zero
no ip domain-lookup
ip host ios-lab-fw 3.3.0.1
!
!
ip vrf vpn1
  rd 100:1
  route-target export 100:1
  route-target import 100:1
ip cef
cns event-service server
!
!
process-max-time 200
!
interface Loopback0
  ip address 10.10.10.10 255.255.255.255
  no ip directed-broadcast
!
interface Loopback1
  no ip address
  no ip directed-broadcast
!
interface Ethernet1/1
  ip address 3.3.18.114 255.255.0.0
  no ip directed-broadcast
  no ip mroute-cache
  no keepalive
!
interface Ethernet1/2
  bandwidth 100
  ip vrf forwarding vpn1
  ip address 53.0.0.1 255.0.0.0
  no ip directed-broadcast
  no ip mroute-cache
  tag-switching ip
  no fair-queue
!

```

```

interface Ethernet1/3
  no ip address
  no ip directed-broadcast
  no ip mroute-cache
!
interface Ethernet1/4
  bandwidth 100
  no ip address
  no ip directed-broadcast
  no ip mroute-cache
  no fair-queue
!
interface Switch1
  no ip address
  no ip directed-broadcast
  no atm ilmi-keepalive
!
interface Switch1.1 tag-switching
  ip unnumbered Loopback0
  no ip directed-broadcast
  atm pvc 50 50 0 aal5snap
  tag-switching atm vp-tunnel 50
  tag-switching ip
!
interface Switch1.2 tag-switching
  ip unnumbered Loopback0
  no ip directed-broadcast
  atm pvc 40 40 0 aal5snap
  tag-switching atm vp-tunnel 40
  tag-switching ip
!
interface Switch1.3 tag-switching
  ip unnumbered Loopback0
  no ip directed-broadcast
  atm pvc 20 20 0 aal5snap
  tag-switching atm vp-tunnel 20
  tag-switching ip
!
router ospf 100
  passive-interface Ethernet1/2
  network 10.0.0.0 0.255.255.255 area 100
!
router bgp 100
  no synchronization
  no bgp default ipv4-unicast
  neighbor 11.11.11.11 remote-as 100
  neighbor 11.11.11.11 update-source Loopback0
!
  address-family ipv4 vrf vpn1
    neighbor 53.0.0.2 remote-as 102
    neighbor 53.0.0.2 activate
    no auto-summary
    no synchronization
    exit-address-family
!
  address-family vpnv4
    neighbor 11.11.11.11 activate
    neighbor 11.11.11.11 send-community extended
    exit-address-family
!
  ip default-gateway 3.3.0.1
  no ip classless
  no ip http server
!

```

```
dialer-list 1 protocol ip permit
dialer-list 1 protocol ipx permit
!
!
line con 0
  exec-timeout 0 0
  transport input none
line aux 0
line vty 0 4
  password lab
  login
!
exception core-file mpls/mgx/dumps/rpm-18-114.core
rpmrsprtn PAR 100 100 0 255 0 3840 4047
addcon vpc switch 1.3 20 rslot 0 2 20 master local
addcon vpc switch 1.2 40 rslot 0 1 40
addcon vpc switch 1.1 50 rslot 10 1 50 master local
end

rpm-18-114#
```

# One PE - Two CE Configuration - OSPF & IBPG Between PEs & RIP between PE-CE

## CE1 Configuration

```

sys-2-1#sho run
Building configuration...

Current configuration:
!
version 12.0
service timestamps debug uptime
service timestamps log uptime
no service password-encryption
!
hostname sys-2-1
!
boot system tftp mpls/12.0/c3620-js-mz.120-5.0.2.T2 3.3.0.1
logging buffered 4096 debugging
no logging console
!
!
!
!
!
ip subnet-zero
no ip domain-lookup
ip host ios-lab-fw 3.3.0.1
!
ip cef
cns event-service server
!
!
!
process-max-time 200
!
interface Loopback0
 ip address 12.12.12.12 255.255.255.255
 no ip directed-broadcast
!
interface Ethernet0/0
 ip address 3.3.30.1 255.255.0.0
 no ip directed-broadcast
 shutdown
!
interface Ethernet0/1
 ip address 50.0.0.1 255.0.0.0
 no ip directed-broadcast
!
interface Ethernet0/2
 no ip address
 no ip directed-broadcast
 shutdown
!
interface Ethernet0/3
 ip address 52.0.0.1 255.0.0.0
 no ip directed-broadcast
!
interface Serial1/0
 no ip address

```

```
no ip directed-broadcast
shutdown
no fair-queue
!
interface Serial1/1
no ip address
no ip directed-broadcast
shutdown
!
interface Serial1/2
no ip address
no ip directed-broadcast
shutdown
!
interface Serial1/3
no ip address
no ip directed-broadcast
shutdown
!
router rip
version 2
network 12.0.0.0
network 50.0.0.0
network 52.0.0.0
no auto-summary
!
ip default-gateway 3.3.0.1
no ip classless
no ip http server
!
!
!
line con 0
exec-timeout 0 0
transport input none
line aux 0
line vty 0 4
password lab
login
!
!
end

sys-2-1#
sys-2-1#
```

## CE2 Configuration

```

sys-2-4#sho run
Building configuration...

Current configuration:
!
version 12.0
service timestamps debug uptime
service timestamps log uptime
no service password-encryption
!
hostname sys-2-4
!
boot system tftp mpls/12.0/c3640-js-mz.120-5.0.2.T2 3.3.0.1
logging buffered 4096 debugging
no logging console
!
!
!
!
ip subnet-zero
no ip domain-lookup
ip host ios-lab-fw 3.3.0.1
!
ip cef
cns event-service server
!
!
!
process-max-time 200
!
interface Loopback0
 ip address 14.14.14.14 255.255.255.255
 no ip directed-broadcast
!
interface Ethernet0/0
 ip address 3.3.30.4 255.255.0.0
 no ip directed-broadcast
 shutdown
!
interface Ethernet0/1
 ip address 53.0.0.2 255.0.0.0
 no ip directed-broadcast
!
interface Ethernet0/2
 no ip address
 no ip directed-broadcast
 shutdown
!
interface Ethernet0/3
 no ip address
 no ip directed-broadcast
 shutdown
!
router rip
 version 2
 network 14.0.0.0
 network 53.0.0.0
 no auto-summary
!

```

```
ip default-gateway 3.3.0.1
no ip classless
no ip http server
!
!
!
line con 0
  exec-timeout 0 0
  transport input none
line aux 0
line vty 0 4
  password lab
  login
!
!
end

sys-2-4#
sys-2-4#
sys-2-4#
```

## CE3 Configuration

```

sys-2-2#sho run
Building configuration...

Current configuration:
!
version 12.0
service timestamps debug uptime
service timestamps log uptime
no service password-encryption
!
hostname sys-2-2
!
boot system tftp mpls/12.0/c3640-js-mz.120-5.0.2.T2 3.3.0.1
logging buffered 4096 debugging
no logging console
!
!
!
!
!
ip subnet-zero
no ip domain-lookup
ip host ios-lab-fw 3.3.0.1
!
ip cef
cns event-service server
!
!
!
process-max-time 200
!
interface Loopback0
 ip address 13.13.13.13 255.255.255.255
 no ip directed-broadcast
!
interface Ethernet0/0
 ip address 3.3.30.2 255.255.0.0
 no ip directed-broadcast
 shutdown
!
interface Ethernet0/1
 ip address 51.0.0.2 255.0.0.0
 no ip directed-broadcast
!
interface Ethernet0/2
 ip address 52.0.0.2 255.0.0.0
 no ip directed-broadcast
!
interface Ethernet0/3
 no ip address
 no ip directed-broadcast
 shutdown
!
interface Serial1/0
 no ip address
 no ip directed-broadcast
 shutdown
 no fair-queue
!
interface Serial1/1

```

```
no ip address
no ip directed-broadcast
shutdown
!
interface Serial1/2
no ip address
no ip directed-broadcast
shutdown
!
interface Serial1/3
no ip address
no ip directed-broadcast
shutdown
!
router rip
version 2
network 13.0.0.0
network 51.0.0.0
network 52.0.0.0
no auto-summary
!
ip default-gateway 3.3.0.1
no ip classless
no ip http server
!
!
x25 host shorun
!
line con 0
exec-timeout 0 0
transport input none
line aux 0
line vty 0 4
password lab
login
!
!
end

sys-2-2#
sys-2-2#
```

## PE1 Configuration

```

rpm-18-110#sho run
Building configuration...

Current configuration:
!
version 12.0
no service pad
service timestamps debug uptime
service timestamps log uptime
no service password-encryption
!
hostname rpm-18-110
!
boot system tftp mpls/12.0/rpm-js-mz.120-5.T.bin 3.3.0.1
no logging console
!
!
!
!
clock timezone EST -5
clock summer-time EDT recurring
ip subnet-zero
no ip domain-lookup
ip host ios-lab-fw 3.3.0.1
!
!
ip vrf vpn1
  rd 100:1
  route-target export 100:1
  route-target import 100:1
ip cef
cns event-service server
!
!
process-max-time 200
!
interface Loopback0
  ip address 11.11.11.11 255.255.255.255
  no ip directed-broadcast
!
interface Loopback1
  no ip address
  no ip directed-broadcast
!
interface Ethernet1/1
  ip address 3.3.18.110 255.255.0.0
  no ip directed-broadcast
  no ip mroute-cache
  no keepalive
!
interface Ethernet1/2
  ip vrf forwarding vpn1
  ip address 50.0.0.2 255.0.0.0
  no ip directed-broadcast
  no ip mroute-cache
  no keepalive
  tag-switching ip
!
interface Ethernet1/3

```

```

bandwidth 100
ip vrf forwarding vpn1
ip address 51.0.0.1 255.0.0.0
no ip directed-broadcast
no ip mroute-cache
tag-switching ip
no fair-queue
!
interface Ethernet1/4
no ip address
no ip directed-broadcast
no ip mroute-cache
no keepalive
!
interface FastEthernet2/1
no ip address
no ip directed-broadcast
no ip mroute-cache
!
interface Switch1
no ip address
no ip directed-broadcast
no atm ilmi-keepalive
!
interface Switch1.1 tag-switching
ip unnumbered Loopback0
no ip directed-broadcast
atm pvc 50 50 0 aal5snap
tag-switching atm vp-tunnel 50
tag-switching ip
!
interface Switch1.2 tag-switching
ip unnumbered Loopback0
no ip directed-broadcast
atm pvc 30 30 0 aal5snap
tag-switching atm vp-tunnel 30
tag-switching ip
!
interface Switch1.3 tag-switching
ip unnumbered Loopback0
no ip directed-broadcast
atm pvc 60 60 0 aal5snap
tag-switching atm vp-tunnel 60
tag-switching ip
!
router ospf 100
passive-interface Ethernet1/2
passive-interface Ethernet1/3
network 11.0.0.0 0.255.255.255 area 100
network 50.0.0.0 0.255.255.255 area 100
network 51.0.0.0 0.255.255.255 area 100
!
router rip
version 2
!
address-family ipv4 vrf vpn1
version 2
redistribute bgp 100 metric 2
network 50.0.0.0
network 51.0.0.0
no auto-summary
exit-address-family
!
router bgp 100

```

```
no synchronization
no bgp default ipv4-unicast
neighbor 10.10.10.10 remote-as 100
neighbor 10.10.10.10 update-source Loopback0
!
address-family ipv4 vrf vpn1
redistribute rip
no auto-summary
no synchronization
exit-address-family
!
address-family vpnv4
neighbor 10.10.10.10 activate
neighbor 10.10.10.10 send-community extended
exit-address-family
!
ip default-gateway 3.3.0.1
no ip classless
no ip http server
!
dialer-list 1 protocol ip permit
dialer-list 1 protocol ipx permit
!
!
line con 0
  exec-timeout 0 0
  transport input none
line aux 0
line vty 0 4
  password lab
  login
!
exception core-file mpls/mgx/dumps/rpm-18-110.core
rpmrscprtn PAR 100 100 0 255 0 3840 4047
addcon vpc switch 1.2 30 rslot 0 3 30 master local
addcon vpc switch 1.1 50 rslot 14 1 50
addcon vpc switch 1.3 60 rslot 0 4 60 master local
end

rpm-18-110#
rpm-18-110#
```

## PE2 Configuration

```

rpm-18-114#sho run
Building configuration...

Current configuration:
!
version 12.0
no service pad
service timestamps debug uptime
service timestamps log uptime
no service password-encryption
!
hostname rpm-18-114
!
boot system tftp mpls/12.0/rpm-js-mz.120-5.T.bin 3.3.0.1
no logging console
!
!
!
!
clock timezone EST -5
clock summer-time EDT recurring
ip subnet-zero
no ip domain-lookup
ip host ios-lab-fw 3.3.0.1
!
!
ip vrf vpn1
  rd 100:1
  route-target export 100:1
  route-target import 100:1
ip cef
cns event-service server
!
!
process-max-time 200
!
interface Loopback0
  ip address 10.10.10.10 255.255.255.255
  no ip directed-broadcast
!
interface Loopback1
  no ip address
  no ip directed-broadcast
!
interface Ethernet1/1
  ip address 3.3.18.114 255.255.0.0
  no ip directed-broadcast
  no ip mroute-cache
  no keepalive
!
interface Ethernet1/2
  bandwidth 100
  ip vrf forwarding vpn1
  ip address 53.0.0.1 255.0.0.0
  no ip directed-broadcast
  no ip mroute-cache
  tag-switching ip
  no fair-queue
!

```

```

interface Ethernet1/3
  no ip address
  no ip directed-broadcast
  no ip mroute-cache
!
interface Ethernet1/4
  bandwidth 100
  no ip address
  no ip directed-broadcast
  no ip mroute-cache
  no fair-queue
!
interface Switch1
  no ip address
  no ip directed-broadcast
  no atm ilmi-keepalive
!
interface Switch1.1 tag-switching
  ip unnumbered Loopback0
  no ip directed-broadcast
  atm pvc 50 50 0 aal5snap
  tag-switching atm vp-tunnel 50
  tag-switching ip
!
interface Switch1.2 tag-switching
  ip unnumbered Loopback0
  no ip directed-broadcast
  atm pvc 40 40 0 aal5snap
  tag-switching atm vp-tunnel 40
  tag-switching ip
!
interface Switch1.3 tag-switching
  ip unnumbered Loopback0
  no ip directed-broadcast
  atm pvc 20 20 0 aal5snap
  tag-switching atm vp-tunnel 20
  tag-switching ip
!
router ospf 100
  passive-interface Ethernet1/2
  network 10.0.0.0 0.255.255.255 area 100
  network 53.0.0.0 0.255.255.255 area 100
!
router rip
  version 2
  !
  address-family ipv4 vrf vpn1
  version 2
  redistribute bgp 100 metric 2
  network 53.0.0.0
  no auto-summary
  exit-address-family
!
router bgp 100
  no synchronization
  no bgp default ipv4-unicast
  neighbor 11.11.11.11 remote-as 100
  neighbor 11.11.11.11 update-source Loopback0
  !
  address-family ipv4 vrf vpn1
  redistribute rip
  no auto-summary
  no synchronization
  exit-address-family

```

```
!
address-family vpnv4
neighbor 11.11.11.11 activate
neighbor 11.11.11.11 send-community extended
exit-address-family
!
ip default-gateway 3.3.0.1
no ip classless
no ip http server
!
dialer-list 1 protocol ip permit
dialer-list 1 protocol ipx permit
!
!
line con 0
  exec-timeout 0 0
  transport input none
line aux 0
line vty 0 4
  password lab
  login
!
exception core-file mpls/mgx/dumps/rpm-18-114.core
rpmrscprtn PAR 100 100 0 255 0 3840 4047
addcon vpc switch 1.3 20 rslot 0 2 20 master local
addcon vpc switch 1.2 40 rslot 0 1 40
addcon vpc switch 1.1 50 rslot 10 1 50 master local
end

rpm-18-114#
rpm-18-114#
rpm-18-114#
```

# One PE - Two CE Configuration - OSPF & IBPG Between PEs & STATIC ROUTES between PE-CE

## CE1 Configuration

```
sys-2-1#sho run
Building configuration...

Current configuration:
!
version 12.0
service timestamps debug uptime
service timestamps log uptime
no service password-encryption
!
hostname sys-2-1
!
boot system tftp mpls/12.0/c3620-js-mz.120-5.0.2.T2 3.3.0.1
logging buffered 4096 debugging
no logging console
!
!
!
!
!
ip subnet-zero
no ip domain-lookup
ip host ios-lab-fw 3.3.0.1
!
ip cef
cns event-service server
!
!
!
process-max-time 200
!
interface Loopback0
 ip address 12.12.12.12 255.255.255.255
 no ip directed-broadcast
!
interface Ethernet0/0
 ip address 3.3.30.1 255.255.0.0
 no ip directed-broadcast
 shutdown
!
interface Ethernet0/1
 ip address 50.0.0.1 255.0.0.0
 no ip directed-broadcast
!
interface Ethernet0/2
 no ip address
 no ip directed-broadcast
 shutdown
!
interface Ethernet0/3
 ip address 52.0.0.1 255.0.0.0
 no ip directed-broadcast
!
interface Serial1/0
 no ip address
```

```
no ip directed-broadcast
shutdown
no fair-queue
!
interface Serial1/1
no ip address
no ip directed-broadcast
shutdown
!
interface Serial1/2
no ip address
no ip directed-broadcast
shutdown
!
interface Serial1/3
no ip address
no ip directed-broadcast
shutdown
!
router ospf 100
passive-interface Ethernet0/1
network 12.0.0.0 0.255.255.255 area 100
network 50.0.0.0 0.255.255.255 area 100
network 52.0.0.0 0.255.255.255 area 100
!
ip default-gateway 3.3.0.1
no ip classless
ip route 0.0.0.0 0.0.0.0 Ethernet0/1 50.0.0.2
no ip http server
!
!
!
line con 0
exec-timeout 0 0
transport input none
line aux 0
line vty 0 4
password lab
login
!
!
end

sys-2-1#
sys-2-1#
```

## CE2 Configuration

```

sys-2-4#sho run
Building configuration...

Current configuration:
!
version 12.0
service timestamps debug uptime
service timestamps log uptime
no service password-encryption
!
hostname sys-2-4
!
boot system tftp mpls/12.0/c3640-js-mz.120-5.0.2.T2 3.3.0.1
logging buffered 4096 debugging
no logging console
!
!
!
!
!
ip subnet-zero
no ip domain-lookup
ip host ios-lab-fw 3.3.0.1
!
ip cef
cns event-service server
!
!
!
process-max-time 200
!
interface Loopback0
 ip address 14.14.14.14 255.255.255.255
 no ip directed-broadcast
!
interface Ethernet0/0
 ip address 3.3.30.4 255.255.0.0
 no ip directed-broadcast
 shutdown
!
interface Ethernet0/1
 ip address 53.0.0.2 255.0.0.0
 no ip directed-broadcast
!
interface Ethernet0/2
 no ip address
 no ip directed-broadcast
 shutdown
!
interface Ethernet0/3
 no ip address
 no ip directed-broadcast
 shutdown
!
router ospf 100
 passive-interface Ethernet0/1
 network 14.0.0.0 0.255.255.255 area 100
 network 53.0.0.0 0.255.255.255 area 100
!
ip default-gateway 3.3.0.1

```

```
no ip classless
ip route 0.0.0.0 0.0.0.0 Ethernet0/1 53.0.0.1
no ip http server
!
!
!
line con 0
  exec-timeout 0 0
  transport input none
line aux 0
line vty 0 4
  password lab
  login
!
!
end

sys-2-4#
```

## CE3 Configuration

```

sys-2-2#sho run
Building configuration...

Current configuration:
!
version 12.0
service timestamps debug uptime
service timestamps log uptime
no service password-encryption
!
hostname sys-2-2
!
boot system tftp mpls/12.0/c3640-js-mz.120-5.0.2.T2 3.3.0.1
logging buffered 4096 debugging
no logging console
!
!
!
!
!
ip subnet-zero
no ip domain-lookup
ip host ios-lab-fw 3.3.0.1
!
ip cef
cns event-service server
!
!
!
process-max-time 200
!
interface Loopback0
 ip address 13.13.13.13 255.255.255.255
 no ip directed-broadcast
!
interface Ethernet0/0
 ip address 3.3.30.2 255.255.0.0
 no ip directed-broadcast
 shutdown
!
interface Ethernet0/1
 ip address 51.0.0.2 255.0.0.0
 no ip directed-broadcast
!
interface Ethernet0/2
 ip address 52.0.0.2 255.0.0.0
 no ip directed-broadcast
!
interface Ethernet0/3
 no ip address
 no ip directed-broadcast
 shutdown
!
interface Serial1/0
 no ip address
 no ip directed-broadcast
 shutdown
 no fair-queue
!
interface Serial1/1

```

```
no ip address
no ip directed-broadcast
shutdown
!
interface Serial1/2
no ip address
no ip directed-broadcast
shutdown
!
interface Serial1/3
no ip address
no ip directed-broadcast
shutdown
!
router ospf 100
passive-interface Ethernet0/1
network 13.0.0.0 0.255.255.255 area 100
network 51.0.0.0 0.255.255.255 area 100
network 52.0.0.0 0.255.255.255 area 100
!
ip default-gateway 3.3.0.1
no ip classless
ip route 0.0.0.0 0.0.0.0 Ethernet0/1 51.0.0.1
no ip http server
!
!
!
line con 0
exec-timeout 0 0
transport input none
line aux 0
line vty 0 4
password lab
login
!
!
end

sys-2-2#
sys-2-2#
sys-2-2#
```

## PE1 Configuration

```

rpm-18-110#sho run
Building configuration...

Current configuration:
!
version 12.0
no service pad
service timestamps debug uptime
service timestamps log uptime
no service password-encryption
!
hostname rpm-18-110
!
boot system tftp mpls/12.0/rpm-js-mz.120-5.T.bin 3.3.0.1
no logging console
!
!
!
!
!
clock timezone EST -5
clock summer-time EDT recurring
ip subnet-zero
no ip domain-lookup
ip host ios-lab-fw 3.3.0.1
!
!
ip vrf vpn1
  rd 100:1
  route-target export 100:1
  route-target import 100:1
ip cef
cns event-service server
!
!
process-max-time 200
!
interface Loopback0
  ip address 11.11.11.11 255.255.255.255
  no ip directed-broadcast
!
interface Loopback1
  no ip address
  no ip directed-broadcast
!
interface Ethernet1/1
  ip address 3.3.18.110 255.255.0.0
  no ip directed-broadcast
  no ip mroute-cache
  no keepalive
!
interface Ethernet1/2
  ip vrf forwarding vpn1
  ip address 50.0.0.2 255.0.0.0
  no ip directed-broadcast
  no ip mroute-cache
  no keepalive
  tag-switching ip
!
interface Ethernet1/3

```

```

bandwidth 100
ip vrf forwarding vpn1
ip address 51.0.0.1 255.0.0.0
no ip directed-broadcast
no ip mroute-cache
shutdown
tag-switching ip
no fair-queue
!
interface Ethernet1/4
no ip address
no ip directed-broadcast
no ip mroute-cache
no keepalive
!
interface FastEthernet2/1
no ip address
no ip directed-broadcast
no ip mroute-cache
!
interface Switch1
no ip address
no ip directed-broadcast
no atm ilmi-keepalive
!
interface Switch1.1 tag-switching
ip unnumbered Loopback0
no ip directed-broadcast
atm pvc 50 50 0 aal5snap
tag-switching atm vp-tunnel 50
tag-switching ip
!
interface Switch1.2 tag-switching
ip unnumbered Loopback0
no ip directed-broadcast
atm pvc 30 30 0 aal5snap
tag-switching atm vp-tunnel 30
tag-switching ip
!
interface Switch1.3 tag-switching
ip unnumbered Loopback0
no ip directed-broadcast
atm pvc 60 60 0 aal5snap
tag-switching atm vp-tunnel 60
tag-switching ip
!
router ospf 100
passive-interface Ethernet1/2
passive-interface Ethernet1/3
network 11.0.0.0 0.255.255.255 area 100
network 50.0.0.0 0.255.255.255 area 100
network 51.0.0.0 0.255.255.255 area 100
!
router bgp 100
no synchronization
no bgp default ipv4-unicast
neighbor 10.10.10.10 remote-as 100
neighbor 10.10.10.10 update-source Loopback0
!
address-family ipv4 vrf vpn1
redistribute connected
redistribute static
no auto-summary
no synchronization

```

```
exit-address-family
!
address-family vpnv4
neighbor 10.10.10.10 activate
neighbor 10.10.10.10 send-community extended
exit-address-family
!
ip default-gateway 3.3.0.1
no ip classless
ip route vrf vpn1 12.0.0.0 255.0.0.0 Ethernet1/2 50.0.0.1
ip route vrf vpn1 13.0.0.0 255.0.0.0 Ethernet1/3 51.0.0.2
ip route vrf vpn1 50.0.0.0 255.0.0.0 Ethernet1/2 50.0.0.1
ip route vrf vpn1 51.0.0.0 255.0.0.0 Ethernet1/3 51.0.0.2
ip route vrf vpn1 52.0.0.0 255.0.0.0 Ethernet1/2 50.0.0.1
ip route vrf vpn1 52.0.0.0 255.0.0.0 Ethernet1/3 51.0.0.2
no ip http server
!
dialer-list 1 protocol ip permit
dialer-list 1 protocol ipx permit
!
!
line con 0
  exec-timeout 0 0
  transport input none
line aux 0
line vty 0 4
  password lab
  login
!
exception core-file mpls/mgx/dumps/rpm-18-110.core
rpmrsoprtn PAR 100 100 0 255 0 3840 4047
addcon vpc switch 1.2 30 rslot 0 3 30 master local
addcon vpc switch 1.1 50 rslot 14 1 50
addcon vpc switch 1.3 60 rslot 0 4 60 master local
end

rpm-18-110#
rpm-18-110#
rpm-18-110#
```

## PE2 Configuration

```

rpm-18-114#sho run
Building configuration...

Current configuration:
!
version 12.0
no service pad
service timestamps debug uptime
service timestamps log uptime
no service password-encryption
!
hostname rpm-18-114
!
boot system tftp mpls/12.0/rpm-js-mz.120-5.T.bin 3.3.0.1
no logging console
!
!
!
!
clock timezone EST -5
clock summer-time EDT recurring
ip subnet-zero
no ip domain-lookup
ip host ios-lab-fw 3.3.0.1
!
!
ip vrf vpn1
  rd 100:1
  route-target export 100:1
  route-target import 100:1
ip cef
cns event-service server
!
!
process-max-time 200
!
interface Loopback0
  ip address 10.10.10.10 255.255.255.255
  no ip directed-broadcast
!
interface Loopback1
  no ip address
  no ip directed-broadcast
!
interface Ethernet1/1
  ip address 3.3.18.114 255.255.0.0
  no ip directed-broadcast
  no ip mroute-cache
  no keepalive
!
interface Ethernet1/2
  bandwidth 100
  ip vrf forwarding vpn1
  ip address 53.0.0.1 255.0.0.0
  no ip directed-broadcast
  no ip mroute-cache
  tag-switching ip
  no fair-queue
!

```

```

interface Ethernet1/3
 no ip address
 no ip directed-broadcast
 no ip mroute-cache
!
interface Ethernet1/4
 bandwidth 100
 no ip address
 no ip directed-broadcast
 no ip mroute-cache
 no fair-queue
!
interface Switch1
 no ip address
 no ip directed-broadcast
 no atm ilmi-keepalive
!
interface Switch1.1 tag-switching
 ip unnumbered Loopback0
 no ip directed-broadcast
 atm pvc 50 50 0 aal5snap
 tag-switching atm vp-tunnel 50
 tag-switching ip
!
interface Switch1.2 tag-switching
 ip unnumbered Loopback0
 no ip directed-broadcast
 atm pvc 40 40 0 aal5snap
 tag-switching atm vp-tunnel 40
 tag-switching ip
!
interface Switch1.3 tag-switching
 ip unnumbered Loopback0
 no ip directed-broadcast
 atm pvc 20 20 0 aal5snap
 tag-switching atm vp-tunnel 20
 tag-switching ip
!
router ospf 100
 passive-interface Ethernet1/2
 network 10.0.0.0 0.255.255.255 area 100
 network 53.0.0.0 0.255.255.255 area 100
!
router bgp 100
 no synchronization
 no bgp default ipv4-unicast
 neighbor 11.11.11.11 remote-as 100
 neighbor 11.11.11.11 update-source Loopback0
!
 address-family ipv4 vrf vpn1
 redistribute connected
 redistribute static
 no auto-summary
 no synchronization
 exit-address-family
!
 address-family vpnv4
 neighbor 11.11.11.11 activate
 neighbor 11.11.11.11 send-community extended
 exit-address-family
!
 ip default-gateway 3.3.0.1
 no ip classless
 ip route vrf vpn1 14.0.0.0 255.0.0.0 Ethernet1/2 53.0.0.2

```

```

ip route vrf vpn1 53.0.0.0 255.0.0.0 Ethernet1/2 53.0.0.2
no ip http server
!
dialer-list 1 protocol ip permit
dialer-list 1 protocol ipx permit
!
!
line con 0
  exec-timeout 0 0
  transport input none
line aux 0
line vty 0 4
  password lab
  login
!
exception core-file mpls/mgx/dumps/rpm-18-114.core
rpmrscprt PAR 100 100 0 255 0 3840 4047
addcon vpc switch 1.3 20 rslot 0 2 20 master local
addcon vpc switch 1.2 40 rslot 0 1 40
addcon vpc switch 1.1 50 rslot 10 1 50 master local
end

rpm-18-114#

```

## Obtaining Service and Support

For service and support for a product purchased from a reseller, contact the reseller. Resellers offer a wide variety of Cisco service and support programs, which are described in the section “Service and Support” in the information packet that shipped with your chassis.



### Note

---

If you purchased your product from a reseller, you can access Cisco Connection On-line (CCO) as a guest. CCO is Cisco Systems’ primary, real-time support channel. Your reseller offers programs that include direct access to CCO’s services.

---

For service and support for a product purchased directly from Cisco, use CCO.

## Cisco Connection On-line

Cisco Connection On-line (CCO) is Cisco Systems’ primary, real-time support channel. Maintenance customers and partners can self-register on CCO to obtain additional information and services.

Available 24 hours a day, 7 days a week, CCO provides a wealth of standard and value-added services to Cisco’s customers and business partners. CCO services include product information, product documentation, software updates, release notes, technical tips, the Bug Navigator, configuration notes, brochures, descriptions of service offerings, and download access to public and authorized files.

CCO serves a wide variety of users through two interfaces that are updated and enhanced simultaneously: a character-based version and a multimedia version that resides on the World Wide Web (WWW). The character-based CCO supports Zmodem, Kermit, Xmodem, FTP, and Internet e-mail, and it is excellent for quick access to information over lower bandwidths. The WWW version of CCO provides richly formatted documents with photographs, figures, graphics, and video, as well as hyperlinks to related information.

You can access CCO in the following ways:

- WWW: <http://www.cisco.com>
- WWW: <http://www-europe.cisco.com>
- WWW: <http://www-china.cisco.com>
- Telnet: [cco.cisco.com](http://cco.cisco.com)
- Modem: From North America, 408 526-8070; from Europe, 33 1 64 46 40 82. Use the following terminal settings: VT100 emulation; databits: 8; parity: none; stop bits: 1; and connection rates up to 28.8 kbps.

For a copy of CCO's Frequently Asked Questions (FAQ), contact [cco-help@cisco.com](mailto:cco-help@cisco.com). For additional information, contact [cco-team@cisco.com](mailto:cco-team@cisco.com).



**Note**

If you are a network administrator and need personal technical assistance with a Cisco product that is under warranty or covered by a maintenance contract, contact Cisco's Technical Assistance Center (TAC) at 800 553-2447, 408 526-7209, or [tac@cisco.com](mailto:tac@cisco.com). To obtain general information about Cisco Systems, Cisco products, or upgrades, contact 800 553-6387, 408 526-7208, or [cs-rep@cisco.com](mailto:cs-rep@cisco.com).

This document is to be used in conjunction with the *1.1.23 Cisco WAN Switching MGX 8850* publications.

Access Registrar, AccessPath, Any to Any, AtmDirector, Browse with Me, CCDA, CCDE, CCDP, CCIE, CCNA, CCNP, CCSI, CD-PAC, the Cisco logo, Cisco Certified Internetwork Expert logo, *CiscoLink*, the Cisco Management Connection logo, the Cisco NetWorks logo, the Cisco Powered Network logo, Cisco Systems Capital, the Cisco Systems Capital logo, Cisco Systems Networking Academy, the Cisco Systems Networking Academy logo, the Cisco Technologies logo, ConnectWay, Fast Step, FireRunner, Follow Me Browsing, FormShare, GigaStack, IGX, Intelligence in the Optical Core, Internet Quotient, IP/VC, Kernel Proxy, MGX, Natural Network Viewer, NetSonar, Network Registrar, the Networkers logo, *Packet*, PIX, Point and Click Internetworking, Policy Builder, Precept, RateMUX, ScriptShare, Secure Script, ServiceWay, Shop with Me, SlideCast, SMARTnet, SVX, *The Cell*, TrafficDirector, TransPath, ViewRunner, Virtual Loop Carrier System, Virtual Voice Line, VlanDirector, Voice LAN, Wavelength Router, Workgroup Director, and Workgroup Stack are trademarks; Changing the Way We Work, Live, Play, and Learn, Empowering the Internet Generation, The Internet Economy, and The New Internet Economy are service marks; and Aironet, ASIST, BPX, Catalyst, Cisco, Cisco IOS, the Cisco IOS logo, Cisco Systems, the Cisco Systems logo, the Cisco Systems Cisco Press logo, Enterprise/Solver, EtherChannel, EtherSwitch, FastHub, FastLink, FastPAD, FastSwitch, GeoTel, IOS, IP/TV, IPX, LightStream, LightSwitch, MICA, NetRanger, Post-Routing, Pre-Routing, Registrar, StrataView Plus, Stratm, TeleRouter, and VCO are registered trademarks of Cisco Systems, Inc. or its affiliates in the U.S. and certain other countries. All other trademarks mentioned in this document are the property of their respective owners. The use of the word partner does not imply a partnership relationship between Cisco and any of its resellers. (0004R)

Copyright © 2000, Cisco Systems, Inc.